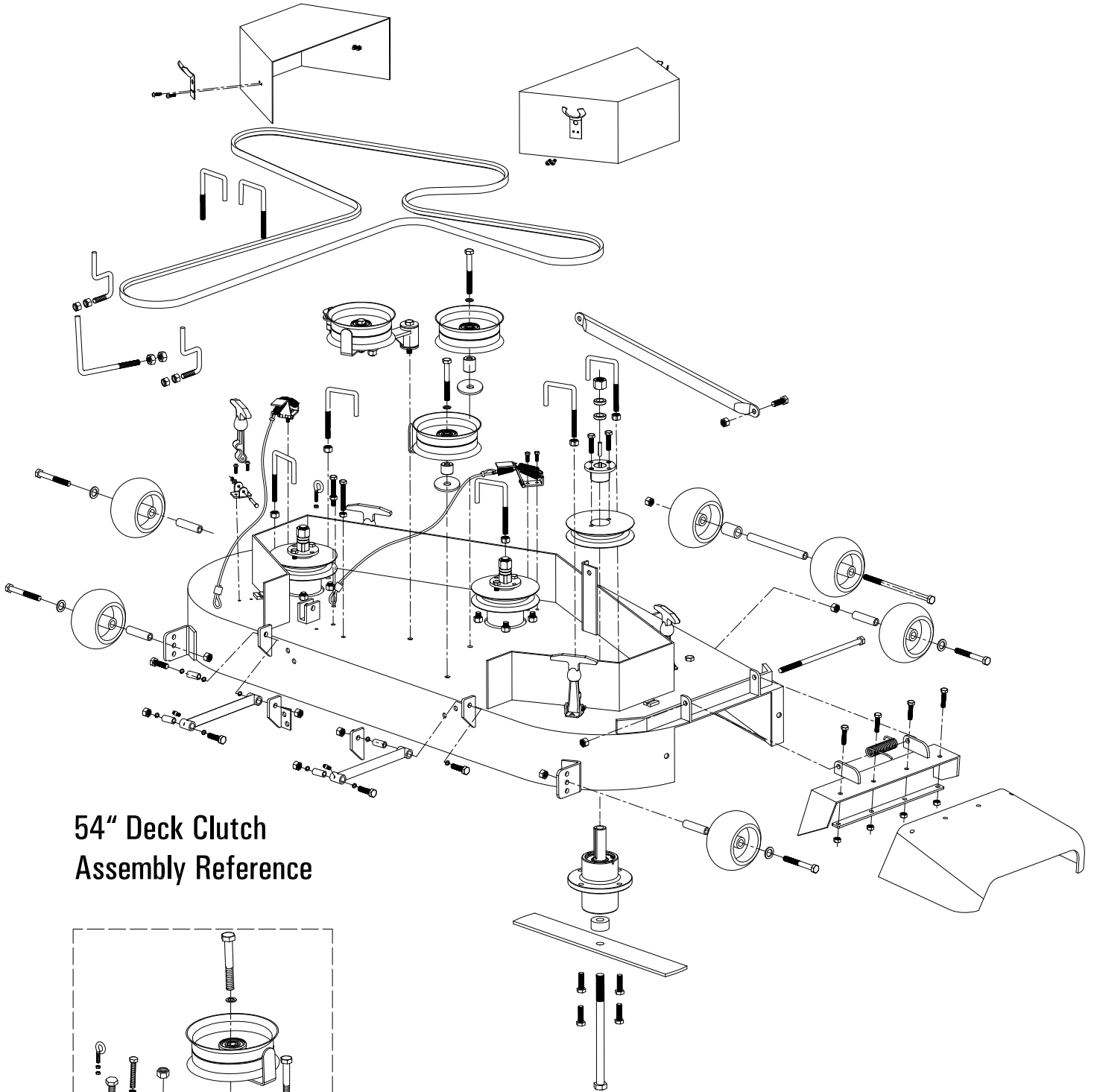


54ZS

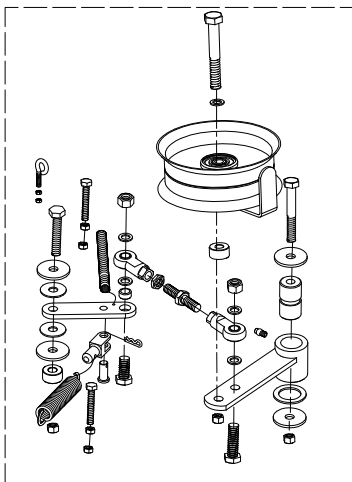
54" STANLEY Zero Turn Riding Mower

Kawasaki FR691V Engine

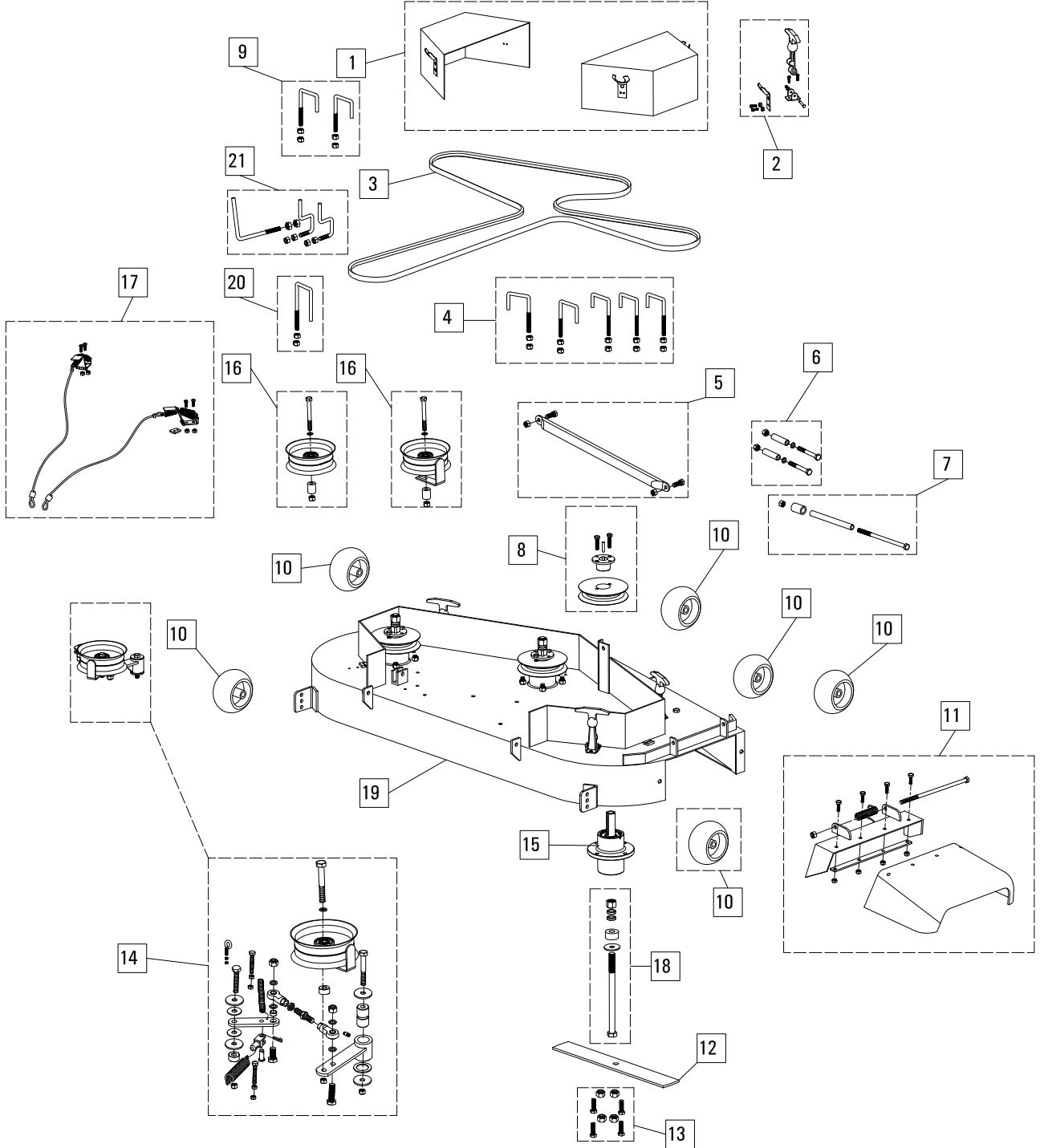
54" Deck Parts Assembly Reference



54" Deck Clutch Assembly Reference



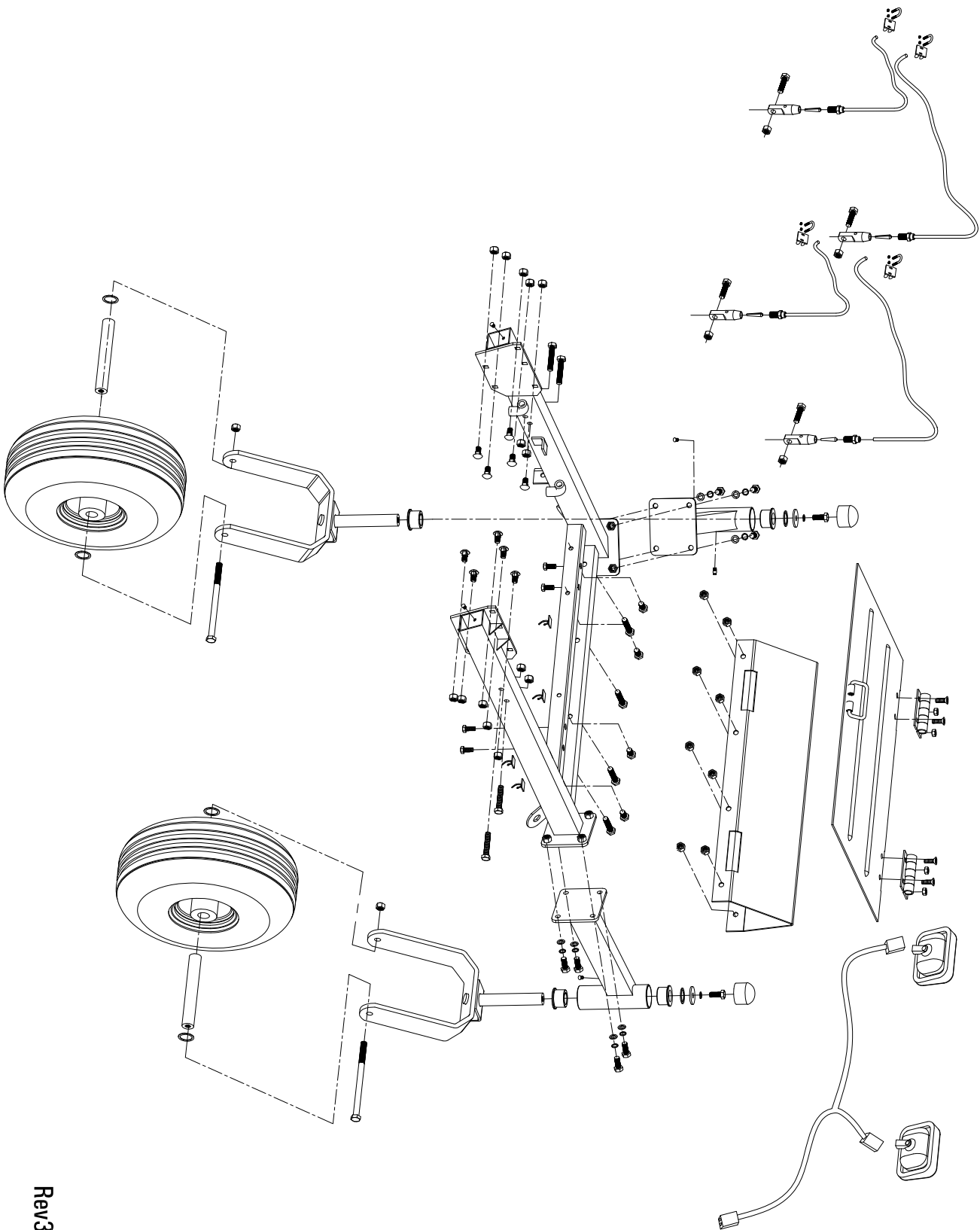
54" Deck Parts Diagram



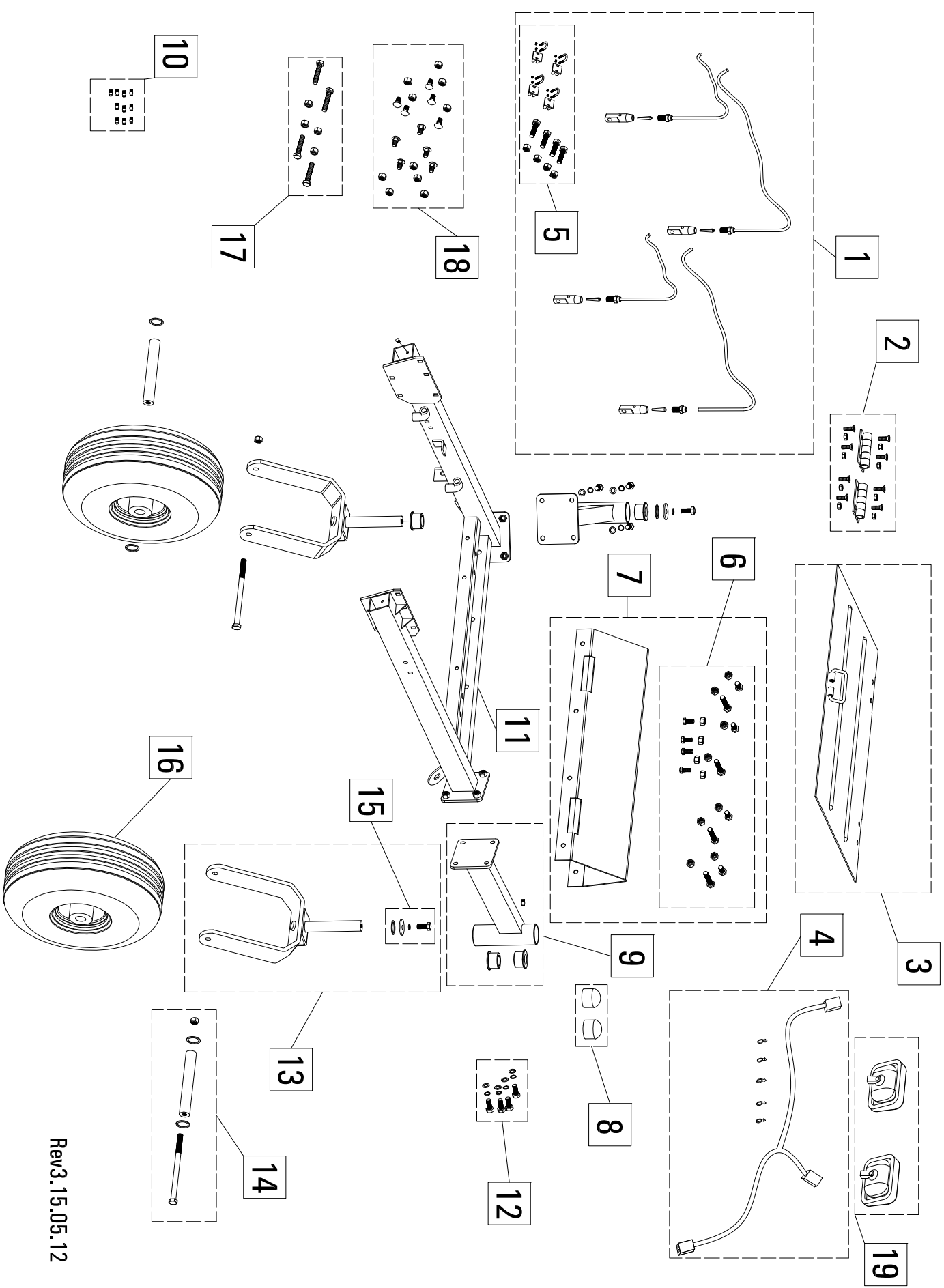
54ZS" Deck Parts Diagram Key

Item #	Gxi Part Number	Description
1	SP11-000064	Belt guard, 54ZS, set of 2 with rubber T-handle receivers, yellow, with label
2	SP12-000229	Rubber T-handle, 54Z, 62Z, 36B for guard fastening, with receiver and hardware
3	M10-000466	54" Engine to blade belt - MXV5-1520..
4	SP11-000009	Belt retainer kit, Z, belt retainers and hardware
5	SP12-000230	Stabilizer assembly, front, , black, with hardware..
6	SP11-000087	Hardware kit, scalping wheel, set of 2 bolts, washers, locking nuts, and bushings.....
7	SP12-000231	Hardware kit, double scalping wheel, center set, bolt, washer, locking nut, and bushing
8	SP12-000232	Pulley, 54Z, 54F, deck pulley and taper lock bushing and hardware
9	SP12-000186	Belt retainer kit, Z, intermediate between engine and deck, 2 belt retainers and hardware
10	M10-000458	Scalping wheel, 5" plastic..
11	SP11-000056	commercial mower discharge chutes with bolt and spring
12	SP12-000233	Blade, set of 3, 54Z, 54F
13	SP11-000086	Hardware kit, Z, W, spindle fastening, set of 4 bolts and nyloc nuts
14	SP11-000059	Clutch assembly, commercial Z, W, complete clutch mechanism with all hardware and springs...
15	M10-000928	Cast Steel Spindle Assembly
16	SP11-000085	Idle pulley, 5", includes bolt, locking nut, belt retainer, spacer, and reinforcement washer for necessary applications
17	SP11-000041	Spindle brake kit, 54Z, left and center brakes, springs, cables, hardware..
18	SP12-000234	Hardware kit, commercial Z, W blade bolt, washer, spacers, and nut
19	M10-000846	54" ZTR Commercial Deck - yellow
20	SP11-000017	Belt retainer, commercial Z, 54F clutch to first spindle
21	SP12-000185	Belt retainer kit, Z, engine pulley, rear retainer, 2 side retainers with hardware

54" Frame Diagram-Assembly Reference



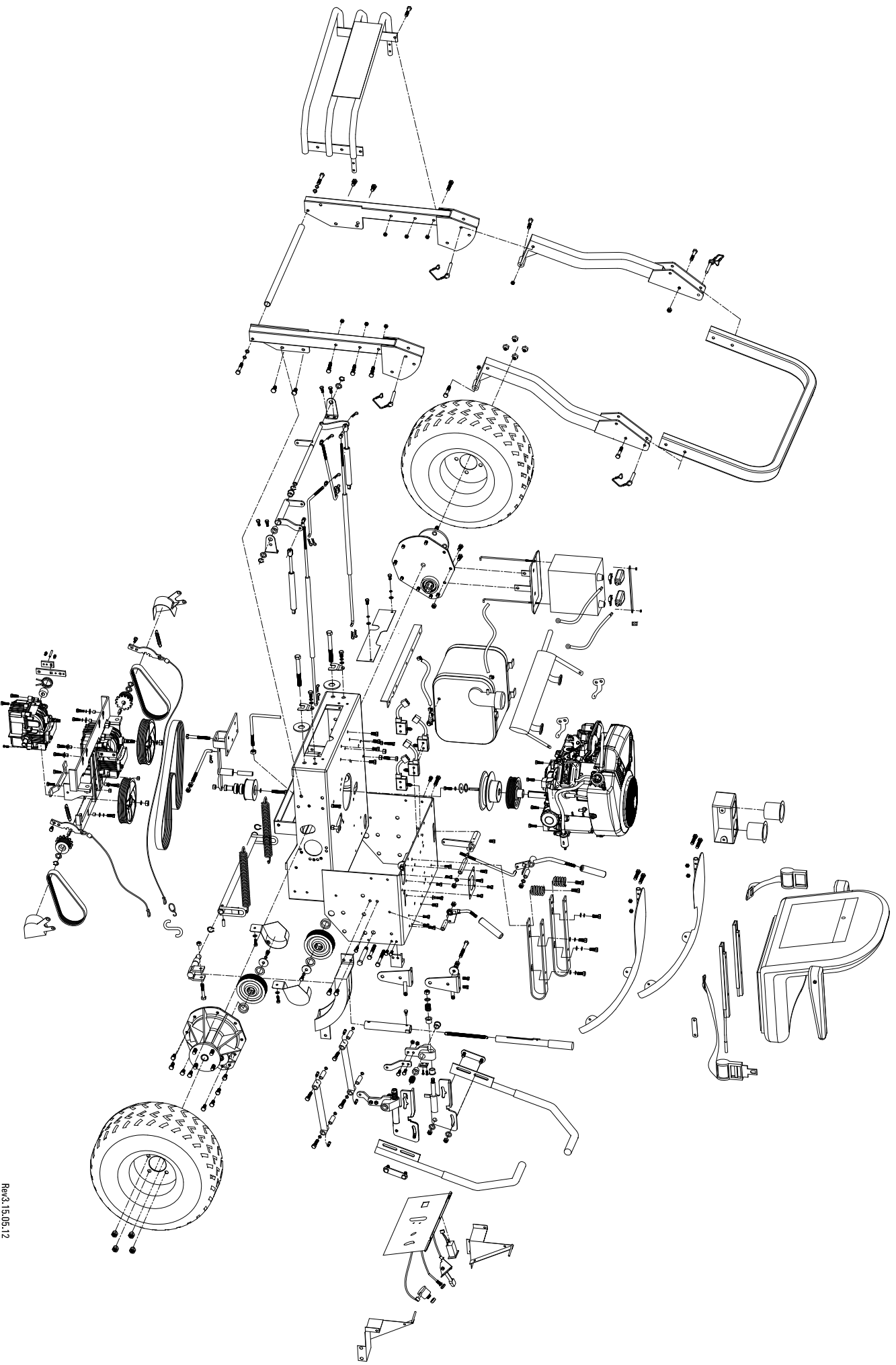
54" Frame Parts Diagram



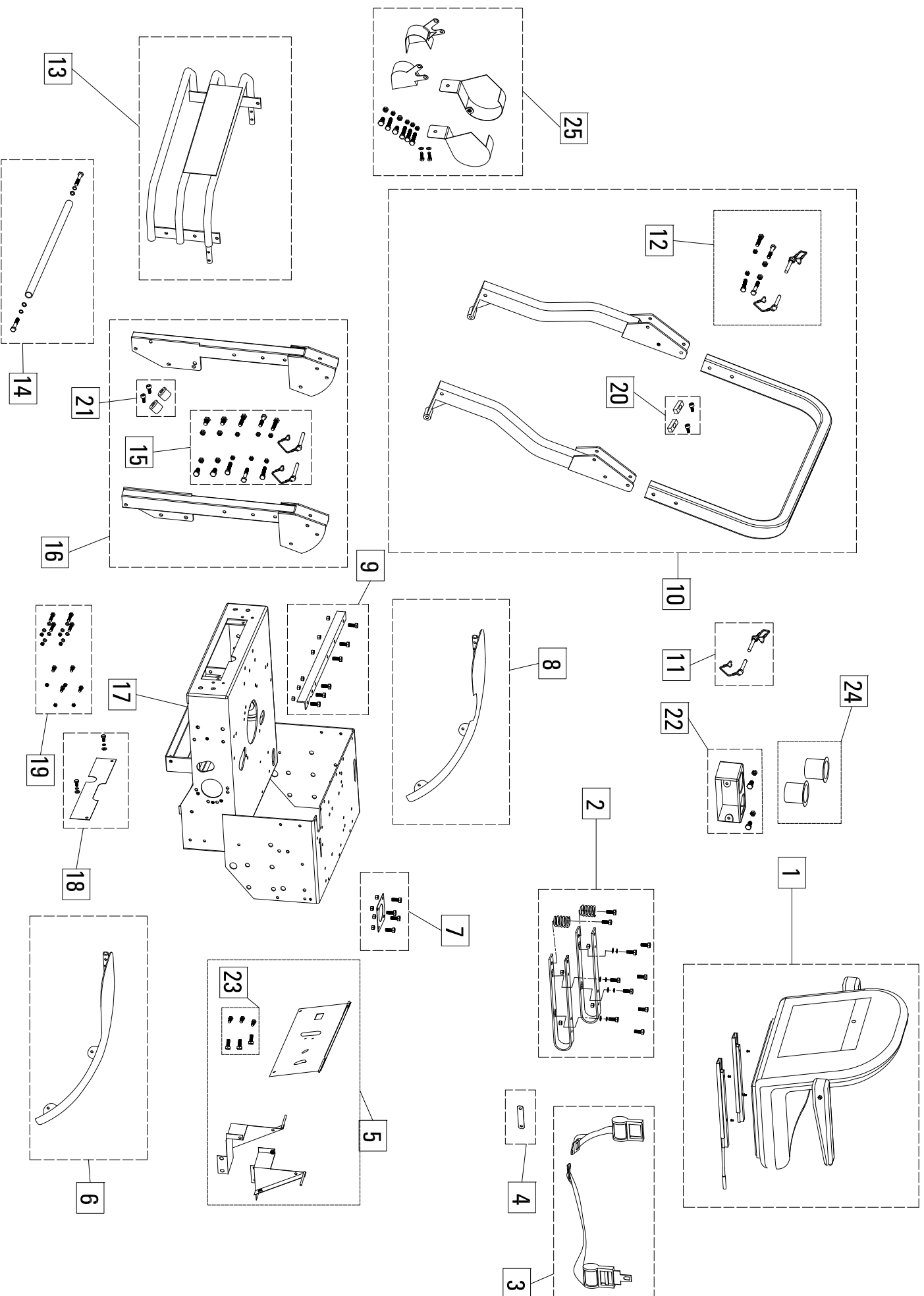
54ZS" Frame Parts Diagram Key

Item #	Gxi Part Number	Description
1	SP11-000016	Deck cable kit, commercial Z, all 4 subassembled cables, includes cable clamps
2	SP12-000235	Hinge, floorboard, commercial Z, with hardware
3	SP11-000029	Floorboard, commercial ZS, black with aluminum diamond plate
4	SP12-000208	head light wire harness and wire harness line clips
5	SP12-000236	Hardware kit, commercial Z, deck cable connections, 4 nuts and bolts, and cable clamps
6	SP12-000237	Hardware kit, commercial Z, floorboard mounting hardware
7	SP12-000249	Floorboard, front V, commercial ZS, black with grip tape
8	SP11-000137	Bearing cap set, Z, black plastic, set of 2 front wheel bearing cap..
9	SP12-000250	Front wheel mount, commercial ZS, black, with brass bushings, grease fittings
10	SP12-000189	Grease fittings, set of 10
11	M10-000863	Frame, front, 54ZS black
12	SP12-000240	Hardware kit, front wheel mount mounting bolts with washers and lock washers
13	SP12-000251	Front wheel yoke, commercial ZS, black, with assembly hardware to frame, axle NOT included
14	SP11-000018	Hardware kit, commercial Z, front wheel axle bolt and axle hardware..
15	SP11-000140	Hardware kit, Z, W, retaining hardware for front wheel caster, includes, bolt, fender washer, and lock washer..
16	SP11-000034	Tire assembly, commercial Z, front tire mounted to rim, with bearings pressed into rim hub, ribbed 15" x 6" x 6" tire
17	SP11-000139	Hardware kit, Z, fasten frame to control panel end caps, and attach deck height set bracket to right hand side of frame..
18	SP11-000141	Hardware kit, Z, frame to chassis mounting hardware, contains 10 custom carriage bolts and locking nuts..
19	SP12-000209	Headlight bezel, lense, and bulb assembly, set of 2

54"ZS Chassis Diagram-Assembly Reference



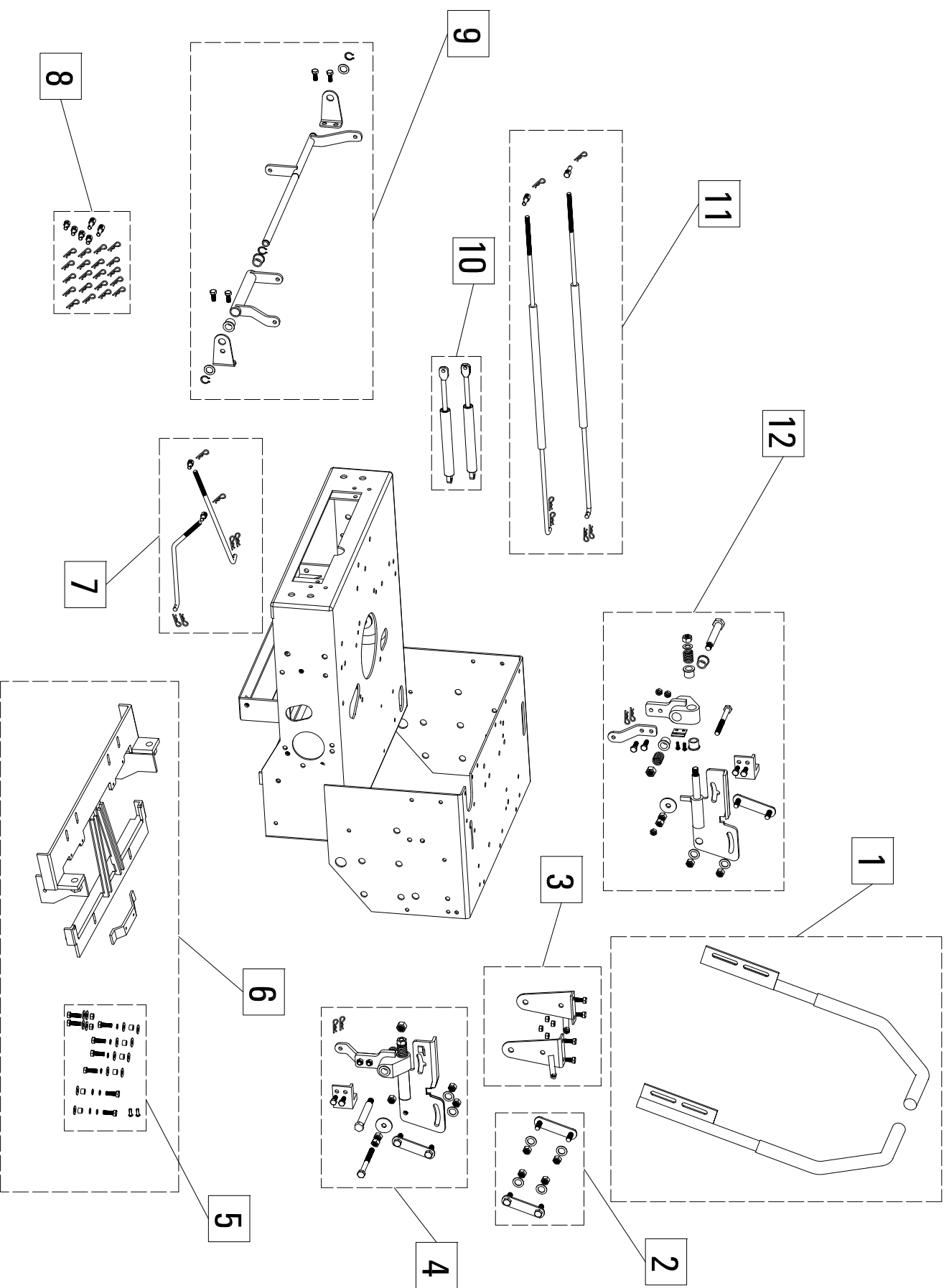
54" ZS Chassis Diagram-Chassis Components Diagram



54ZS" Chassis Diagram -Chassis Components Diagram Key

Item #	Gxi Part Number	Description
1	SP12-000243	Seat assembly, 54ZS, 62ZS, STANLEY logo, with sliders
2	SP11-000090	Seat U mount assembly with suspension springs and hardware
3	M10-000538	Seat belt, Z, retractable
4	M10-000373	Seat belt Strap - Commercial
5	SP12-000244	Control panel assembly, 54ZS, black, include hardware and label
6	SP12-000245	Fender assembly, 54ZS, 62ZS, yellow, right hand side ,steel, with label
7	SP12-000198	Panel assembly, fuel tank neck cover, ZS, black, with hardware
8	M10-000874	Fender assembly, 54ZS, 62ZS, yellow, left hand side ,steel
9	SP11-000096	Reinforcement support, seat bracket, Z, black, with hardware
10	SP12-000221	Roll bar assembly, 54Z, 62Z, left and right middle sections, upper section, hardware, pins, and labels....
11	SP11-000028	Roll bar pin kit, Z, contains 2
12	SP12-000222	Hardware kit, roll bar, 54Z, 62Z, hardware for middle and upper section roll bar attachment, includes 2 roll bar pins..
13	SP12-000246	Rear engine guard assembly, 54ZS, 62ZS, yellow, with label
14	SP11-000031	Guard, rear hydro guard with hardware....
15	SP12-000224	Hardware kit, roll bar, commercial Z, hardware for lower and middle section roll bar attachment
16	SP12-000225	Roll bar assembly, 54/62Z, left and right lower sections, hardware
17	M10-000922	Commercial ZTR Chassis - Black..
18	SP12-000201	Rear access cover, chassis, ZS, black, with hardware and labels..
19	SP12-000247	Hardware kit, steel fender mounting hardware, commercial ZS only
20	SP11-000103	Roll bar silencers, commercial Z, upper, with hardware, use Loctite during assembly (Loctite not included)
21	SP12-000226	Roll bar silencers, commercial Z, lower, with hardware, use Loctite during assembly (Loctite not included)
22	SP12-000248	Cup holder mount, commercial ZS, steel, black with hardware,
23	SP12-000202	Hardware kit, for panel assembly SP12-000198, SP12-000244, and SP12-000218
24	SP12-000182	Cup holders, Z, black plastic, contains 2 - glue into fender (glue not included)
25	SP12-000159	Hydro/Final drive pulley covers, commercial Z, black, with hardware

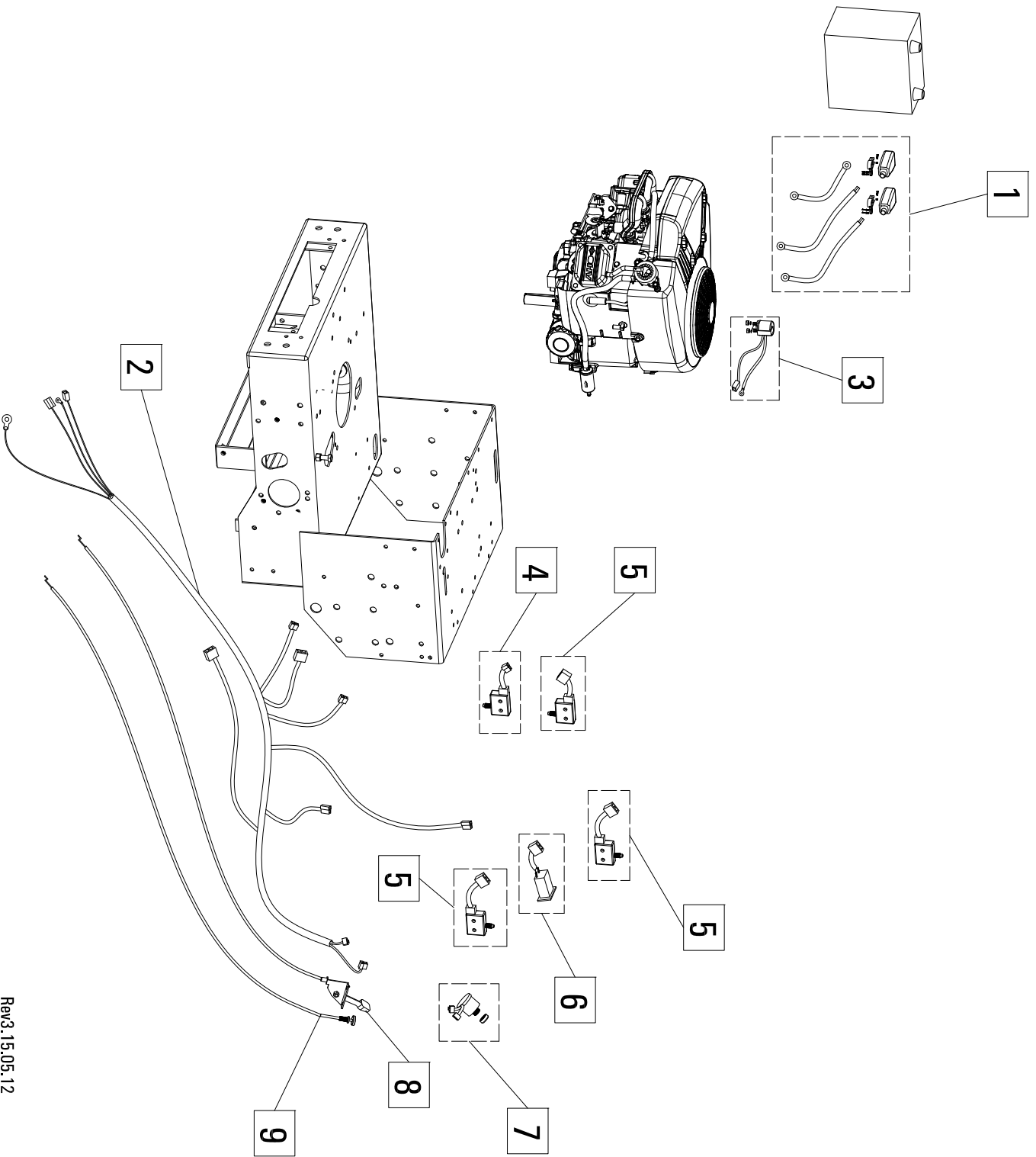
54"ZS Chassis Diagram-Hydrostatic Drive Controls



54ZS" Chassis Diagram -Hydrostatic Drive Controls Key

Item #	Gxi Part Number	Description
1	SP11-000019	Control handle assembly, Z, right and left control handles, black, textured vinyl coated
2	SP11-000117	Control handle retainer assembly, Z, set of 2 control handle retainers and hardware..
3	SP12-000203	Reinforcement kit, 48ZS, 54Z, 62Z, inner controls hanger set with hardware..
4	SP11-000013	Control pivot assemblby, Z, right hand side, includes all hardware, visible return to neutral block, and control handle retainer assembly
5	SP11-000119	Hardware kit, Z, W, hydro carrier to chassis fastening hardware..
6	SP11-000120	Hydro carrier kit, Z, includes center reinforcement, and hydro carrier to chassis fastening hardware...
7	SP11-000121	Rod kit, hydro control, Z, left and right rods, threaded rod ends, and cotter pins..
8	SP11-000122	hardware kit, Z, W, 2 long shaft threaded rod ends, 4 standard threaded rod ends, 20 cotter pins..
9	SP11-000027	Rear control assembly, Z, rear hydro control pivot assemblby with mounting hardware..
10	SP11-000123	Damper kit, Z, 2 control system dampers included..
11	SP11-000124	Rod kit, Z, intermediate control between handle and rear control assembly, includes long shaft threaded rod ends, and pins..
12	SP11-000012	Control pivot assemblby, Z, left hand side, includes all hardware, visible return to neutral block, and control handle retainer assembly..

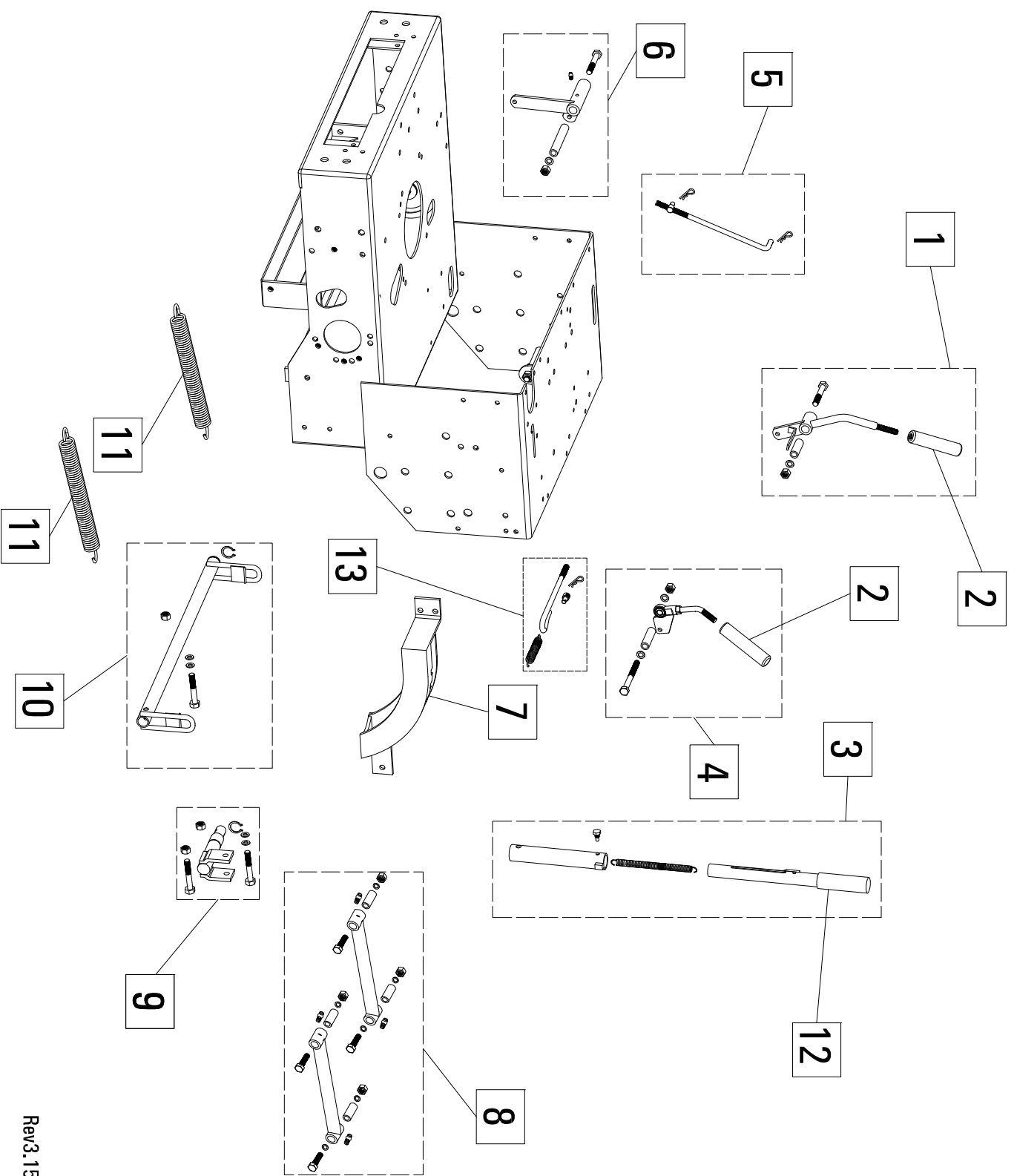
54"ZS Chassis Diagram-Engine Mechanical/Electrical Controls



54ZS" Chassis Diagram -Engine Mechanical/Electrical Controls Key

Item #	Gxi Part Number	Description
1	SP11-000130	Battery cable set, 48Z, 54ZS, includes terminals, terminal covers, positive and ground battery cables, and solenoid to starter cable..
2	M10-001229	Commercial mower wiring harness, FR691 Kawasaki..
3	M10-000881	Solenoid, starter, 48Z, 54ZS, includes leads for wiring harness
4	M10-000543	Switch, blade drive interlock, Z, W, NC, with pigtail and male plastic plug
5	M10-000544	Switch, blade drive interlock, Z, W, NO, with pigtail and female plastic plug
6	M10-000541	Hour meter, Z, W, with soldered pigtails and female plastic plug
7	M10-000539	Switch, 3 position, Z, W, with keys, 3 pin and 2 pin female plastic plug
8	M10-000876	throttle cable 1270mm..
9	M10-000877	choke cable 1295.4mm..

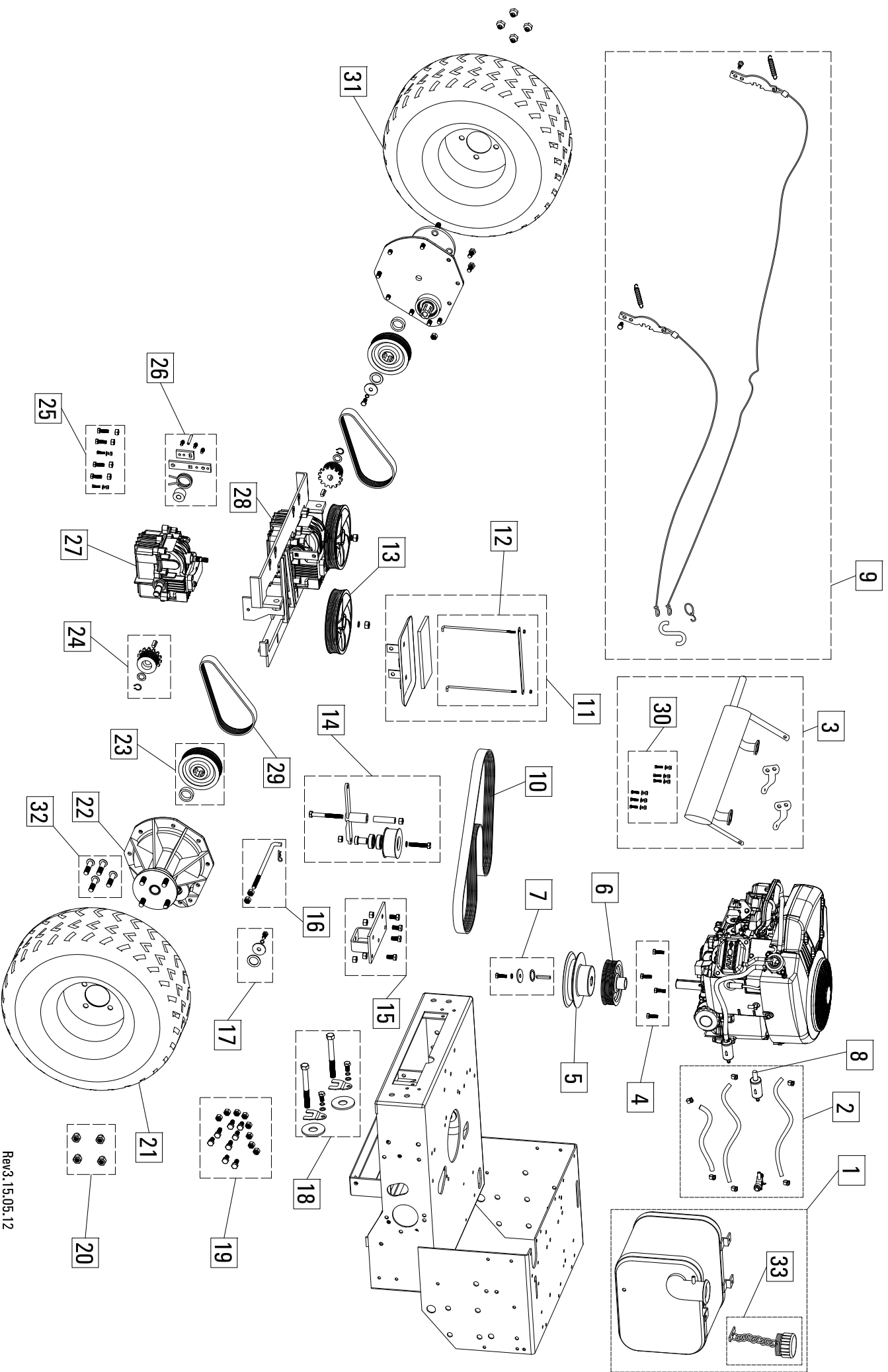
54" ZS Chassis Diagram-Blade, Brake, Deck Lift Handle Systems



54ZS" Chassis Diagram -Blade , Deck Lift Handle Systems Key

Item #	Gxi Part Number	Description
1	SP11-000008	Handle assembly, blade on/off, Z, includes pivot bushing, vinyl handle grip, and mounting hardware....
2	M10-000023	Handle grip, vinyl coated, Z, vinyl coated steel, blade and brake handle grip, contains 1 vinyl coated handle
3	SP11-000014	Handle assembly, deck lift, Z, includes upper handle, lower handle, return spring, guide bolt, and vinyl grip
4	SP11-000010	Handle assembly, park brake, Z, includes pivot bushing, vinyl handle grip, and mounting hardware..
5	SP11-000125	Rod kit, intermediate deck engagement, Z, includes threaded rod end and cotter pins..
6	SP11-000007	Pivot kit, blade engagement, Z, pivot assembly between deck handle and deck clutch, includes pivot bushing and hardware..
7	SP12-000204	Deck height set bracket, ZS, black, with height label..
8	SP11-000127	Stabilizer assembly, rear, 48Z, black, left and right stabilizers, with hardware..
9	SP11-000128	Mount, deck lift handle, Z, with bolt and locking nut
10	SP11-000129	Deck height pivot bar, Z, with bolt and locking nut
11	M10-000356	Spring, Z, deck height lift assist spring
12	M10-000812	ZTR height adjustment Grip
13	SP12-000812	Rod kit, deck engagement, Z, Includes threaded rod end and cotter pin and spring

54" ZS Chassis Diagram-Power Train Diagram



54ZS" Chassis Diagram -Power Train Diagram Key

Item #	Gxi Part Number	Description
1	SP12-000210	Fuel tank assembly, 54Z, 62Z, tethered fuel cap, fuel valve
2	SP11-000105	Fuel system kit, Z, fuel supply line, fuel valve, filter, fuel tank breather line, and 6 hose clamps..
3	SP12-000242	Muffler, 54ZS, vertical canister, Kawasaki FR691V engine with mounting brackets and hardware
4	SP12-000195	Hardware kit, engine mounting bolts, 48ZS/54ZS/62Z, Kawasaki engine..
5	M12-001685	Pulley, engine, deck belt,54Z, 1" bore with keyway, black, cast..
6	M10-001215	Pulley, engine, hydro input, 48Z, 54Z, 1" bore with keyway, cast aluminum
7	SP11-000107	Hardware kit, engine pulley retaining hardware, Z, W, key, washers, lock washer, bolt
8	M10-000535	fuel filter..
9	SP11-000040	Cable kit, park brake, Z, with springs, park pawl, S hook, and mounting bolts, for large OD output..
10	M10-000469	Belt, hydro input, Z, 8PK-1690
11	SP12-000213	Battery pan kit for 54Z, 62Z mower, includes tie down posts, strap, and hardware
12	SP11-000109	Battery tie down kit, includes tie down posts, strap, and hardware..
13	M10-001217	Pulley, hydro, input, Z, integrated fan, Peerless spline, aluminum
14	SP11-000011	Pulley kit, hydro, input idler, Z, includes pulley, carrier arm, bushing, and hardware.....
15	SP11-000110	Pulley mount kit, hydro, input idler, Z, idle pulley carrier mount and hardware..
16	SP11-000111	Rod kit, hydro input tension, Z, includes threaded rod end and cotter pins..
17	SP11-000112	Hardware kit, Z, W, final drive input pulley hardware, includes washers, bolt, lockwasher, shims, use Loctite during assembly on bolt threads..
18	SP11-000113	Hardware kit, Z, hydro output belt tension hardware, includes M16 bolts, bolt locks, and bolt lock hardware
19	SP11-000114	Hardware kit, Z, W, final drive mounting hardware to chassis..
20	SP12-000214	Hardware kit, 54Z, 62Z, W, lug nuts 1/2" x 20 thread, set of 4
21	SP11-000005	Tire assembly, 54Z, 62Z, RIGHT side rear tire mounted to rim, turf tread 22" x 10" x 10" tire....
22	M10-000929	Commercial Final Drive Assembly
23	SP11-000032	Pulley, final drive, Z, splined bore, 8PK, aluminum
24	SP12-000151	Pulley assemby, hydro output, Z, 8PK, contains 2 pulleys, keys, snap rings, washers
25	SP11-000116	Hardware kit, Z, W, hydro to carrier mounting hardware, includes grade 10.9 hardware for front corner..
26	SP11-000003	Return to neutral assembly, Z, includes hardware
27	2100-006D	Hydro, Peerless 2100-006D, integrated pump motor..
28	2100-007D	Hydro, Peerless 2100-007D, integrated pump motor..

54ZS" Chassis Diagram -Power Train Diagram Key

Item #	Gxi Part Number	Description
29	SP12-000191	Belt, final drive, Z, 8PK-644, set of 2
30	SP12-000192	Hardware kit, muffler, Z, W, universal
31	SP12-000215	Tire assembly, 54Z, 62Z, LEFT side rear tire mounted to rim, turf tread 22" x 10" x 10" tire....
32	SP12-000216	Hardware kit, lug stud, press fit, commercial Z, W, 1/2" x 20" thread, set of 4
33	M10-001409	Fuel tank cap, for steel tank, plastic, with tether, sealed