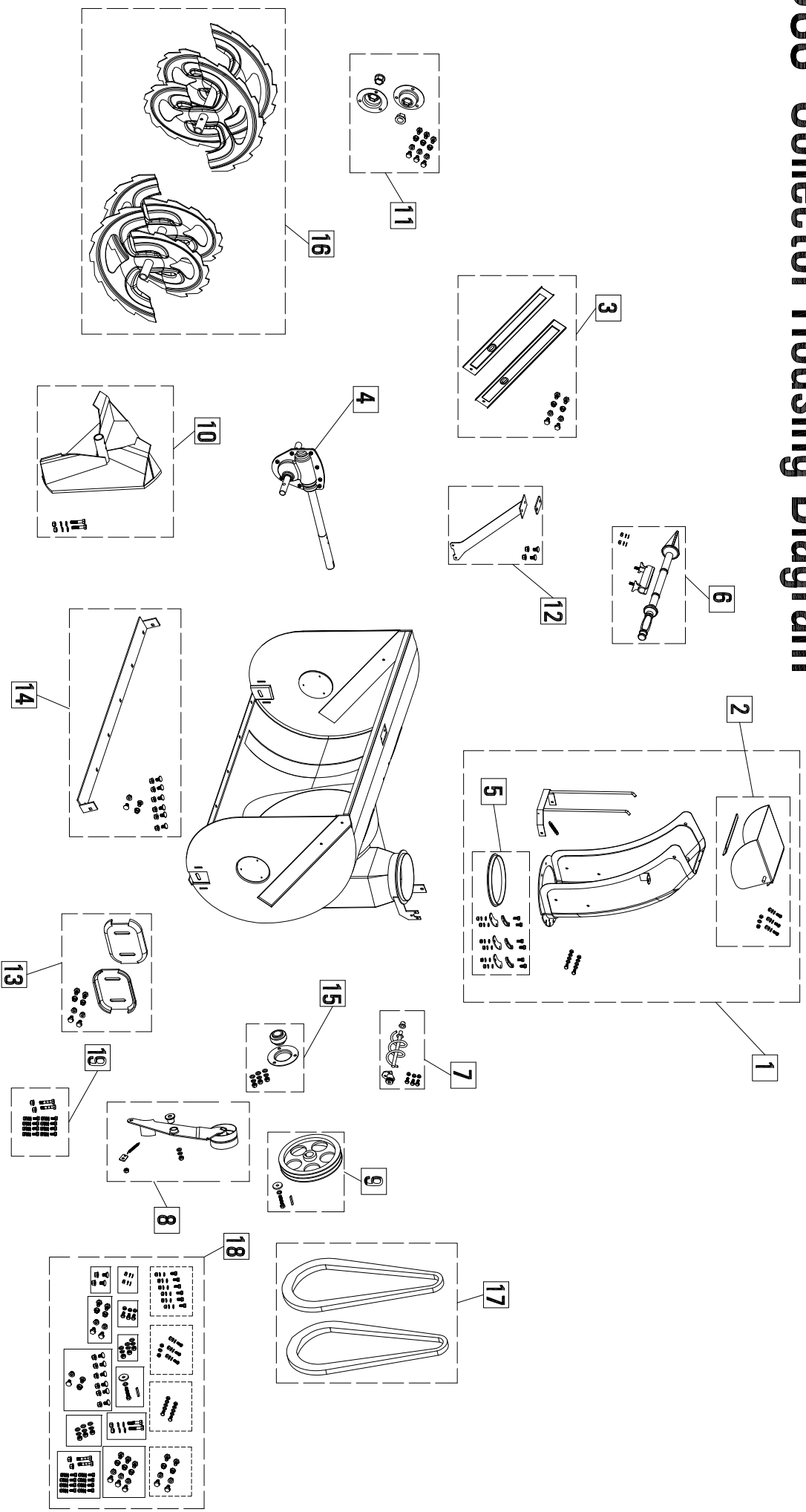


30SS Collector Housing Diagram



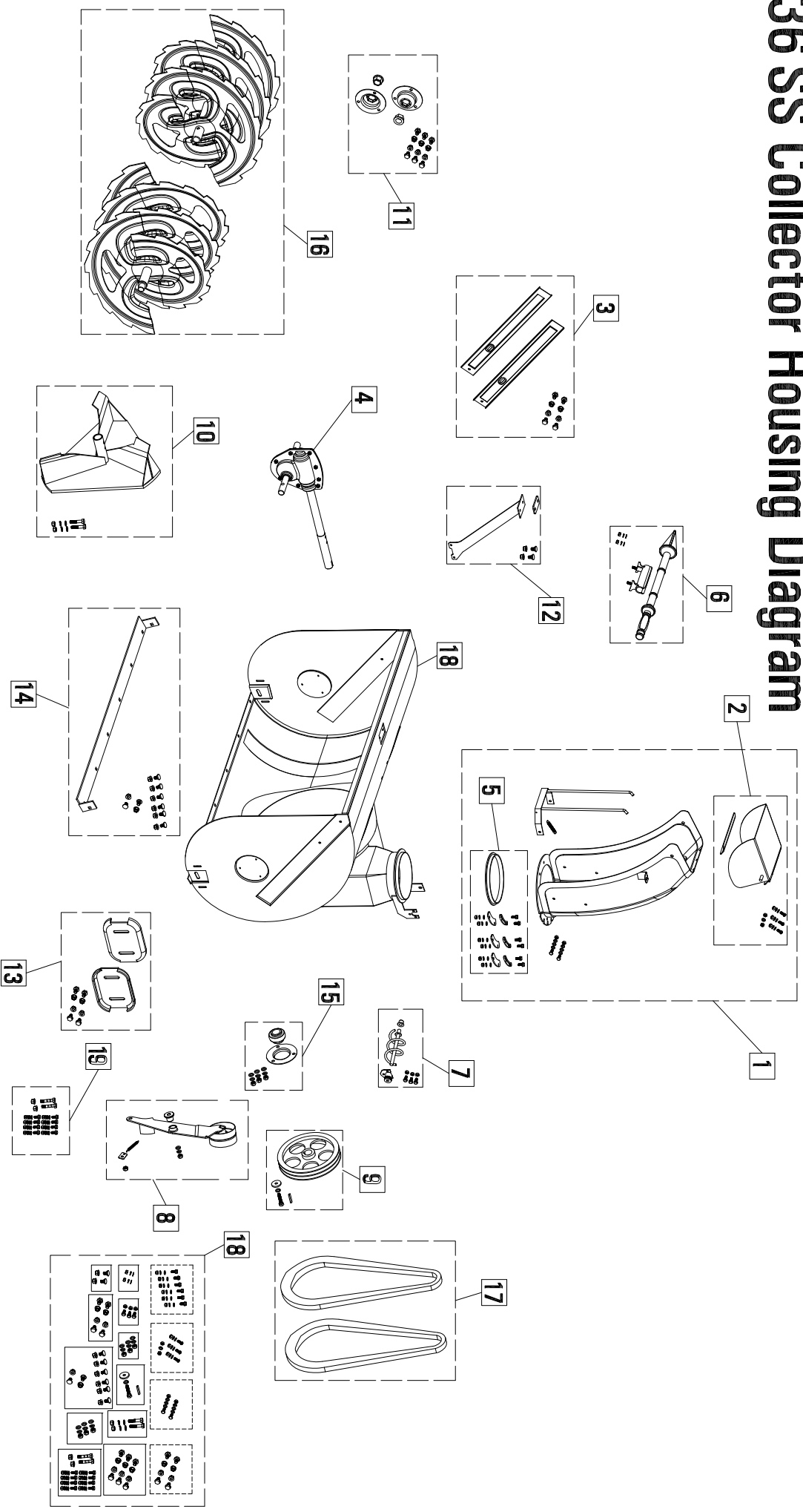
30SS Collector Assembly Diagram Key - Year Model 2012/13

Item #	GXi Part Number	Description
1	B00612	Discharge chute assembly, SS black, with labels, hand guard, hand guard spring, deflector, deflector seal, plastic rotation ring, chute mounts and spacers, deflector cable, and hardware
2	B00812	Discharge chute deflector, SS black, with deflector seal and hardware
3	B01010	Drift cutters, set of 2, SS black, with hardware
4	B01412	Auger/Impeller gear box, SB, SS
5	B01512	Discharge chute rotation ring, SB, SS, black chute mount tabs, chute mount spacers with steel tube inserts, and hardware
6	B02410	Snow cleanout tool with mounting bracket and hardware
7	B03712	Discharge chute direction gear (spiral gear), SB, SS, with threaded chute cable connection, cotter pin, plastic bushing, flat washer, and hardware
8	B04812	Auger/Impeller clutch pulley assembly, SB, SS, includes clutch arm, idle pulley, hardware, brake spring with spring mount, and pivot bushing
9	B05112	Auger/Impeller pulley, SB, SS, double V, with key and mounting hardware - loctite recommended (not included)
10	B06511	Impeller, SB, SS, welded 3 blade impeller with hardware
11	B06811	Auger shaft bearings, SB, SS, collector housing end, with plastic bushing, bearing housing and hardware
12	B06912	Gear box support bar, SB, SS, black reinforcement, with top reinforcement plate, and hardware.
13	B07011	Skid shoes, set of 2, steel, reversible, SS black, with hardware
14	B10912	30" Scraper blade assembly, 30SB, 30SS, black, with hardware, scrapper blade assembles to bottom of collector housing with carriage bolt heads down.
15	B08211	Impeller shaft main bearing with support bracket and hardware, SB, SS, black
16	B09511	30" Snow collectors (augers), set, 30SB, 30SS, black only replacements
17	B08911	Auger/Impeller belt set of 2, SB, SS, aramid fiber MXV4-370
18	B08112	Collector assembly hardware kit, SB, SS
19	B06711	Shear bolts, package of 10 with locking hardware

30SS Collector Assembly Diagram Key - Up To Year Model 2011

Item #	GXi Part Number	Description
1	B00610	Discharge chute assembly, SS black, with labels, hand guard, hand guard spring, deflector, deflector seal, plastic rotation ring, chute mounts and spacers, deflector cable, and hardware
2	B00810	Discharge chute deflector, SS black, slotted deflector guides, with deflector seal and hardware
3	B01010	Drift cutters, set of 2, SS black, with hardware
4	B01412	Auger/Impeller gear box, SB, SS
5	B01512	Discharge chute rotation ring, SB, SS, black chute mount tabs, chute mount spacers with steel tube inserts, and hardware
6	B02410	Snow cleanout tool with mounting bracket and hardware
7	B03712	Discharge chute direction gear (spiral gear), SB, SS, with threaded chute cable connection, cotter pin, plastic bushing, flat washer, and hardware
8	B04811	Auger/Impeller clutch pulley assembly, SB, SS, includes clutch arm, idle pulley, hardware, brake spring with spring mount, and pivot bushing
9	B05111	Auger/Impeller pulley, SB, SS, double V, with key and mounting hardware - loctite recommended (not included)
10	B06511	Impeller, SB, SS, welded 3 blade impeller with hardware
11	B06811	Auger shaft bearings, SB, SS, collector housing end, with plastic bushing, bearing housing and hardware
12	B06911	Gear box support bar, SB, SS, black reinforcement, with top reinforcement plate, and hardware.
13	B07011	Skid shoes, set of 2, steel, reversible, SS black, with hardware
14	B10912	30" Scraper blade assembly, 30SB, 30SS, black, with hardware, scrapper blade assembles to bottom of collector housing with carriage bolt heads down.
15	B08211	Impeller shaft main bearing with support bracket and hardware, SS, SB, black
16	B09511	30" Snow collectors (augers), set, 30SB, 30SS, black only replacements
17	B08911	Auger/Impeller belt set of 2, SB, SS, aramid fiber MXV4-370
18	B08112	Collector assembly hardware kit, SB, SS
19	B06711	Shear bolts, package of 10 with locking hardware

36 SS Collector Housing Diagram



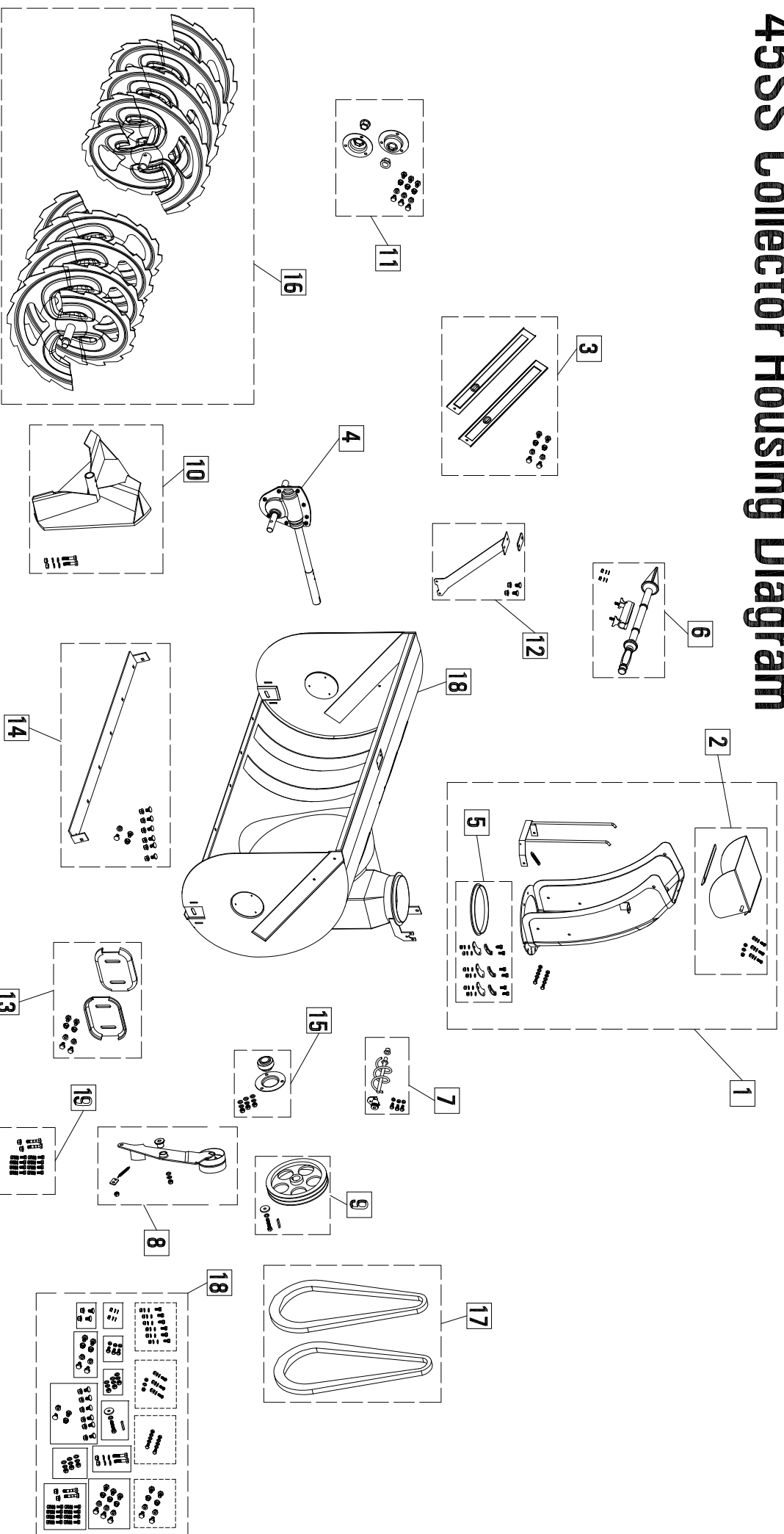
36SS Collector Assembly Diagram Key - Up To Year Model 2011

Item #	GXi Part Number	Description
1	B00610	Discharge chute assembly, SS black, with labels, hand guard, hand guard spring, deflector, deflector seal, plastic rotation ring, chute mounts and spacers, deflector cable, and hardware
2	B00810	Discharge chute deflector, SS black, slotted deflector guides, with deflector seal and hardware
3	B01010	Drift cutters, set of 2, SS black, with hardware
4	B01412	Auger/Impeller gear box, SB, SS
5	B01512	Discharge chute rotation ring, SB, SS, black chute mount tabs, chute mount spacers with steel tube inserts, and hardware
6	B02410	Snow cleanout tool with mounting bracket and hardware
7	B03712	Discharge chute direction gear (spiral gear), SB, SS, with threaded chute cable connection, cotter pin, plastic bushing, flat washer, and hardware
8	B04811	Auger/Impeller clutch pulley assembly, SB, SS, includes clutch arm, idle pulley, hardware, brake spring with spring mount, and pivot bushing
9	B05111	Auger/Impeller pulley, SB, SS, double V, with key and mounting hardware - loctite recommended (not included)
10	B06511	Impeller, SB, SS, welded 3 blade impeller with hardware
11	B06811	Auger shaft bearings, SB, SS, collector housing end, with plastic bushing, bearing housing and hardware
12	B06911	Gear box support bar, SB, SS, black reinforcement, with top reinforcement plate, and hardware.
13	B07011	Skid shoes, set of 2, steel, reversible, SS black, with hardware
14	B07211	36" Scraper blade assembly, 36SB, 36SS, black, with hardware
15	B08211	Impeller shaft main bearing with support bracket and hardware, SS, SB, black
16	B08311	36" Snow collectors (augers), set, 36SB, 36SS, black only replacements
17	B08911	Auger/Impeller belt set of 2, SB, SS, aramid fiber MXV4-370
18	B08112	Collector assembly hardware kit, SB, SS
19	B06711	Shear bolts, package of 10 with locking hardware

36SS Collector Assembly Diagram Key - Year Model 2012/13

Item #	GXi Part Number	Description
1	B00612	Discharge chute assembly, SS black, with labels, hand guard, hand guard spring, deflector, deflector seal, plastic rotation ring, chute mounts and spacers, deflector cable, and hardware
2	B00812	Discharge chute deflector, SS black, with deflector seal and hardware
3	B01010	Drift cutters, set of 2, SS black, with hardware
4	B01412	Auger/Impeller gear box, SB, SS
5	B01512	Discharge chute rotation ring, SB, SS, black chute mount tabs, chute mount spacers with steel tube inserts, and hardware
6	B02410	Snow cleanout tool with mounting bracket and hardware
7	B03712	Discharge chute direction gear (spiral gear), SB, SS, with threaded chute cable connection, cotter pin, plastic bushing, flat washer, and hardware
8	B04812	Auger/Impeller clutch pulley assembly, SB, SS, includes clutch arm, idle pulley, hardware, brake spring with spring mount, and pivot bushing
9	B05112	Auger/Impeller pulley, SB, SS, double V, with key and mounting hardware - loctite recommended (not included)
10	B06511	Impeller, SB, SS, welded 3 blade impeller with hardware
11	B06811	Auger shaft bearings, SB, SS, collector housing end, with plastic bushing, bearing housing and hardware
12	B06912	Gear box support bar, SB, SS, black reinforcement, with top reinforcement plate, and hardware.
13	B07011	Skid shoes, set of 2, steel, reversible, SS black, with hardware
14	B07212	36" Scraper blade assembly, 36SB, 36SS, black, with hardware, scrapper blade assembles to bottom of collector housing with carriage bolt heads down.
15	B08211	Impeller shaft main bearing with support bracket and hardware, SB, SS, black
16	B08311	36" Snow collectors (augers), set, 36SB, 36SS, black only replacements
17	B08911	Auger/Impeller belt set of 2, SB, SS, aramid fiber MXV4-370
18	B08112	Collector assembly hardware kit, SB, SS
19	B06711	Shear bolts, package of 10 with locking hardware

45SS Collector Housing Diagram



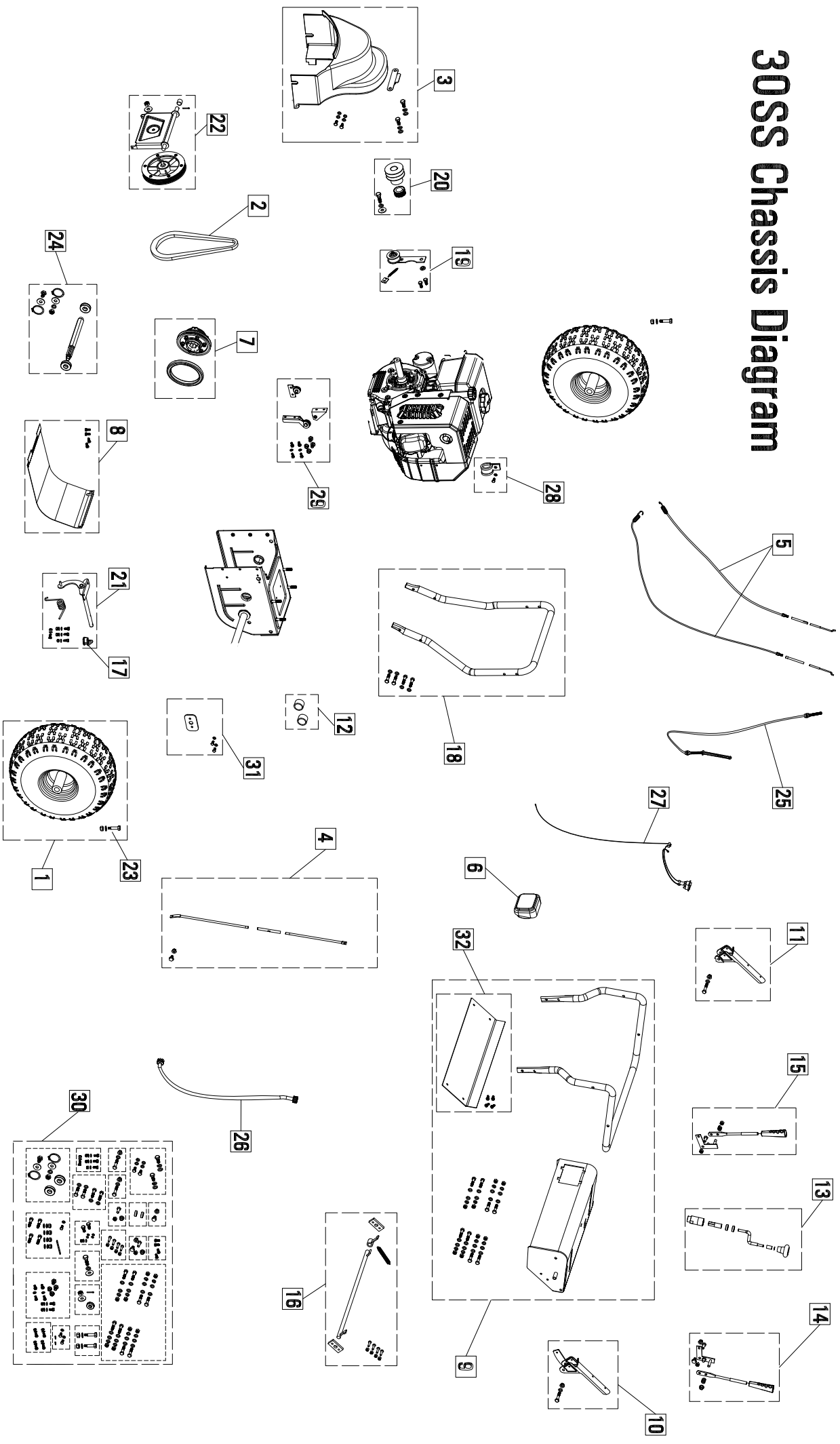
45SS Collector Assembly Diagram Key - Up To Year Model 2011

Item #	GXi Part Number	Description
1	B00610	Discharge chute assembly, SS black, with labels, hand guard, hand guard spring, deflector, deflector seal, plastic rotation ring, chute mounts and spacers, deflector cable, and hardware
2	B00810	Discharge chute deflector, SS black, slotted deflector guides, with deflector seal and hardware
3	B01010	Drift cutters, set of 2, SS black, with hardware
4	B01412	Auger/Impeller gear box, SB, SS
5	B01512	Discharge chute rotation ring, SB, SS, black chute mount tabs, chute mount spacers with steel tube inserts, and hardware
6	B02410	Snow cleanout tool with mounting bracket and hardware
7	B03712	Discharge chute direction gear (spiral gear), SB, SS, with threaded chute cable connection, cotter pin, plastic bushing, flat washer, and hardware
8	B04811	Auger/Impeller clutch pulley assembly, SB, SS, includes clutch arm, idle pulley, hardware, brake spring with spring mount, and pivot bushing
9	B05111	Auger/Impeller pulley, SB, SS, double V, with key and mounting hardware - loctite recommended (not included)
10	B06511	Impeller, SB, SS, welded 3 blade impeller with hardware
11	B06811	Auger shaft bearings, SB, SS, collector housing end, with plastic bushing, bearing housing and hardware
12	B06911	Gear box support bar, SB, SS, black reinforcement, with top reinforcement plate, and hardware.
13	B07011	Skid shoes, set of 2, steel, reversible, SS black, with hardware
14	B11012	45" Scraper blade assembly, 45SB, 45SS, black, with hardware, scrapper blade assembles to bottom of collector housing with carriage bolt heads down.
15	B08211	Impeller shaft main bearing with support bracket and hardware, SS, SB, black
16	B08411	45" Snow collectors (augers), set, 45SB, 45SS, black only replacements
17	B08911	Auger/Impeller belt set of 2, SB, SS, aramid fiber MXV4-370
18	B08112	Collector assembly hardware kit, SB, SS
19	B06711	Shear bolts, package of 10 with locking hardware

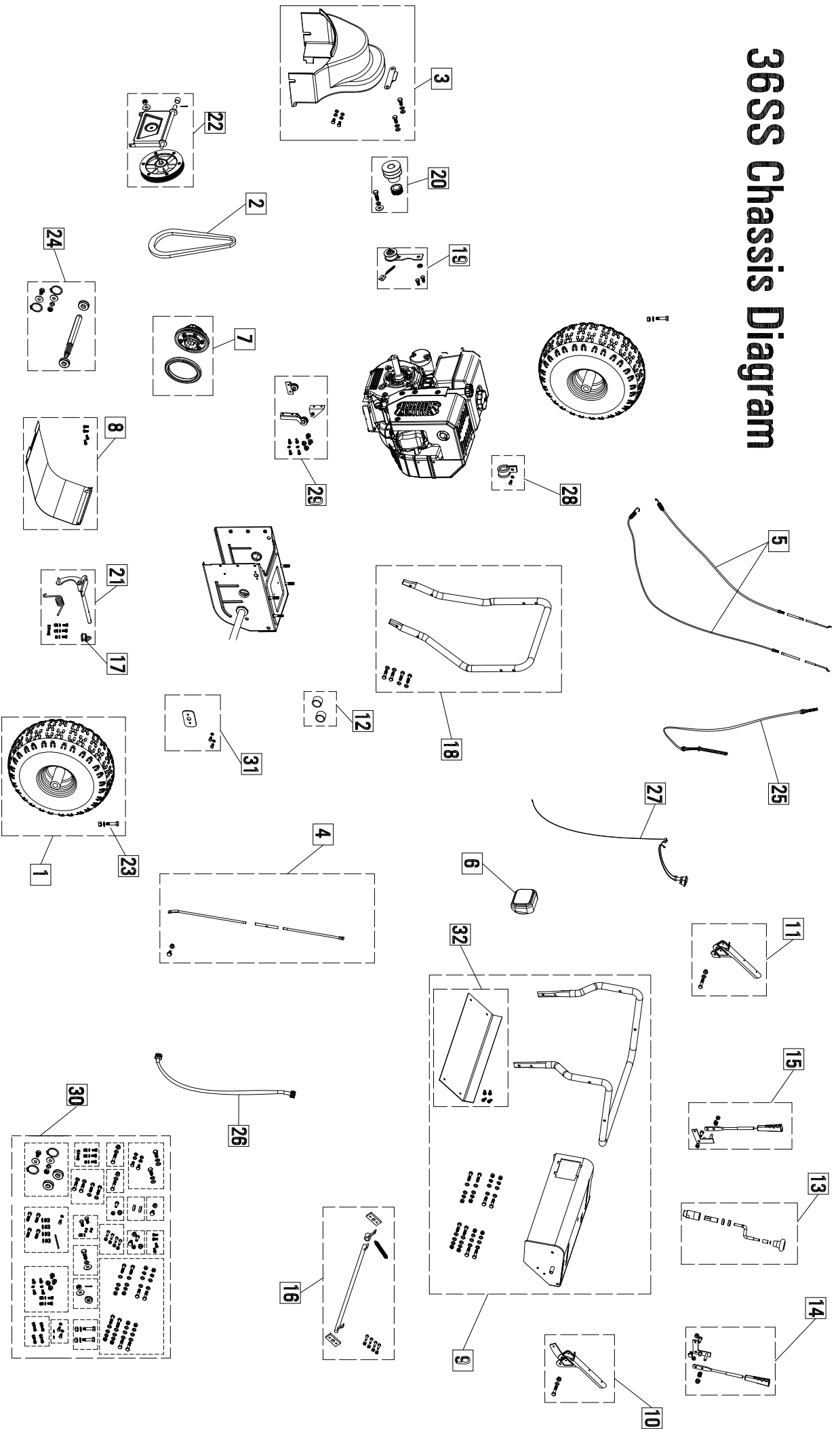
45SS Collector Assembly Diagram Key - Year Model 2012/13

Item #	GXi Part Number	Description
1	B00612	Discharge chute assembly, SS black, with labels, hand guard, hand guard spring, deflector, deflector seal, plastic rotation ring, chute mounts and spacers, deflector cable, and hardware
2	B00812	Discharge chute deflector, SS black, with deflector seal and hardware
3	B01010	Drift cutters, set of 2, SS black, with hardware
4	B01412	Auger/Impeller gear box, SB, SS
5	B01512	Discharge chute rotation ring, SB, SS, black chute mount tabs, chute mount spacers with steel tube inserts, and hardware
6	B02410	Snow cleanout tool with mounting bracket and hardware
7	B03712	Discharge chute direction gear (spiral gear), SB, SS, with threaded chute cable connection, cotter pin, plastic bushing, flat washer, and hardware
8	B04812	Auger/Impeller clutch pulley assembly, SB, SS, includes clutch arm, idle pulley, hardware, brake spring with spring mount, and pivot bushing
9	B05112	Auger/Impeller pulley, SB, SS, double V, with key and mounting hardware - loctite recommended (not included)
10	B06511	Impeller, SB, SS, welded 3 blade impeller with hardware
11	B06811	Auger shaft bearings, SB, SS, collector housing end, with plastic bushing, bearing housing and hardware
12	B06912	Gear box support bar, SB, SS, black reinforcement, with top reinforcement plate, and hardware.
13	B07011	Skid shoes, set of 2, steel, reversible, SS black, with hardware
14	B11012	45" Scraper blade assembly, 45SB, 45SS, black, with hardware, scrapper blade assembles to bottom of collector housing with carriage bolt heads down.
15	B08211	Impeller shaft main bearing with support bracket and hardware, SB, SS, black
16	B08411	45" Snow collectors (augers), set, 45SB, 45SS, black only replacements
17	B08911	Auger/Impeller belt set of 2, SB, SS, aramid fiber MXV4-370
18	B08112	Collector assembly hardware kit, SB, SS
19	B06711	Shear bolts, package of 10 with locking hardware

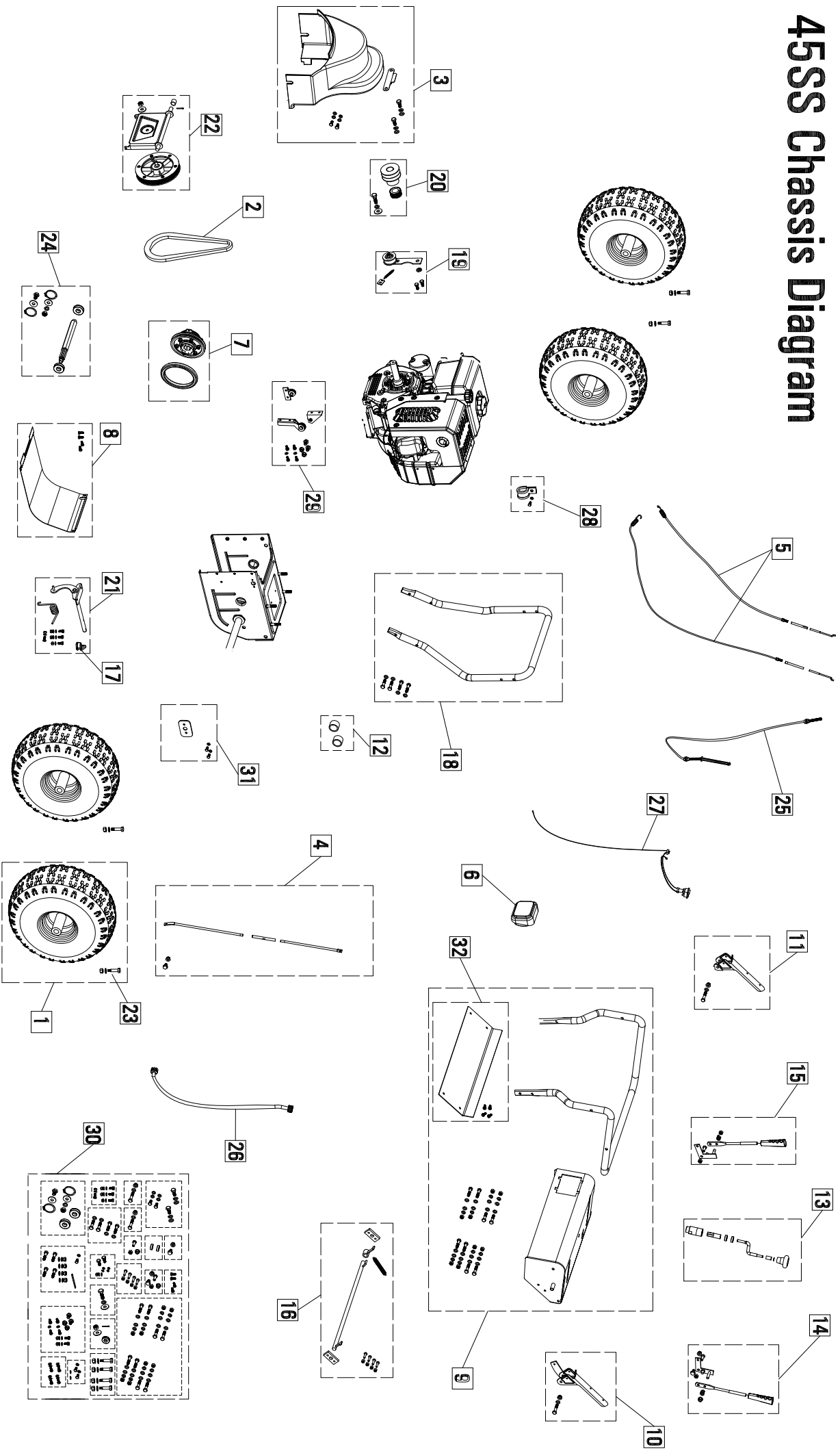
30SS Chassis Diagram



36SS Chassis Diagram



45SS Chassis Diagram



30, 36, 45 SS Collector Assembly Diagram Key - Up To Year Model 2011		
Item #	GXi Part Number	Description
1	B00110	Snow tire and rim, SB, SS, includes retaining pin
2	B01110	Transmission belt, SB, SS, timing belt
3	B01310	Belt guard, SB, SS, plastic, with hardware
4	B01910	Shift rod assembly, SB, SS, connects between shift handle and transmission linkage on chassis
5	B02010	Auger/Impeller OR Transmission Engage cable, SB, SS, ONE cable per package, includes spring, adjustment tube, jam nut, and attachment rod
6	B02210	Headlight assembly, SB, SS, includes bezel, light housing, and bulb
7	B02510	Friction wheel assembly with bearings, SB, SS
8	B02610	Chassis bottom cover, SB, SS, black with hardware
9	B02711	Upper control handle assembly, SS black and yellow, includes 25mm wrapped handle, control panel, control panel cover, assembly hardware, controls label applied, and 30", 36", and 45" labels included - customer installs model label depending on their model
10	B09111	Left snow blower control handle, SS black, for 25mm handlebars, includes rubber grip, and hardware
11	B09211	Right snow blower control handle, SS black, for 25mm handlebars, includes rubber grip and hardware
12	B11312	Wheel spacers, SB, SS, sets proper wheel clearance from chassis
13	B03511	Chute direction control handle, SB, SS, includes crank handle, rubber knob, square cable receiver, bearings, and cable adapter
14	B03811	Discharge chute angle lever, left, SB, SS, includes rubber grip, mounting hardware, and cable connection pivot
15	B03911	Transmission speed shift lever, right, SB, SS, includes rubber grip, mounting hardware, and transmission shift rod connection pivot
16	B04412	Control handle interlock assembly, SB, SS, includes rod, pivot tab, springs, end connections, and hardware
17	B04511	Outer transmission shaft linkage, SB, SS, black, adapts transmission shift shaft on chassis to transmission control rod on control panel
18	B04611	Lower handle bar frame, SS black, 25mm lower handle bar with hardware to connect to chassis
19	B04911	Transmission belt idle pulley assembly, SB, SS, includes idle pulley, pivot arm, pivot bushing, tension spring and hardware
20	B05011	Crankshaft pulley assembly, SB, SS, includes double-v impeller driving pulley, transmission timing belt driving pulley, retaining spacers, key, and hardware
21	B05611	Transmission shift assembly, SB, SS, includes friction wheel shifting shaft, front shaft mount, outer transmission shift linkage, and hardware
22	B09311	Friction wheel aluminum drive disc assembly, SB, SS, includes aluminum timing pulley / drive disc mounted to transmission pivot plate

23	B09411	Snow blower wheel retaining pin, set of 2, SB, SS
24	B09711	Intermediate transmission shaft, SB, SS, hex shaft / small driving gear with bearings, snap rings, and hardware
25	B02110	Discharge chute deflector cable, SB, SS, includes spring, spring guides and hardware
26	B01810	Chute direction control cable, SB, SS
27	B00410	Headlight switch and wiring harness, SB, SS, includes wire loom, ground to control panel
28	B03011	Cable hook with plastic ties and mounting bolt, SB, SS
29	B10612	Auger/Impeller and transmission cable guide pulley kit, SB, SS, includes cable guide pulleys and mounting brackets
30	B08011	Chassis assembly hardware kit, SB, SS

30, 36, 45 SS Collector Assembly Diagram Key - Year Model 2012/13

Item #	GXi Part Number	Description
1	B00112	Snow tire and rim, SB, SS, includes shoulder bolt and locking nut
2	B01110	Transmission belt, timing belt, SB, SS
3	B01312	Belt guard, SB, SS, plastic, top retaining tab and with hardware
4	B01910	Shift rod assembly, SB, SS, connects between shift handle and transmission linkage on chassis
5	B02010	Auger/Impeller OR Transmission Engage cable, SB, SS, ONE cable per package, includes spring, adjustment tube, jam nut, and attachment rod
6	B02212	Headlight assembly, SB, SS, includes bezel, light housing, bulb, and wires to first 2-pin connector
7	B02510	Friction wheel assembly with bearings, SB, SS
8	B02610	Chassis bottom cover, SB, SS, black with hardware
9	B02712	Upper control handle assembly, SS black and yellow, includes 30mm wrapped handle, control panel, control panel cover, assembly hardware, controls label applied, and 30", 36", and 45" labels included - customer installs model label depending on their model
10	B09112	Left snow blower control handle, SS black, for 30mm handlebars, includes rubber grip, and hardware
11	B09212	Right snow blower control handle, SS black, for 30mm handlebars, includes rubber grip and hardware
12	B11312	Wheel spacers, SB, SS, sets proper wheel clearance from chassis
13	B03512	Chute direction control handle, SB, SS, includes crank handle, rubber knob, square cable receiver, bearings, and cable adapter
14	B03811	Discharge chute angle lever, left, SB, SS, includes rubber grip, mounting hardware, and cable connection pivot
15	B03911	Transmission speed shift lever, right, SB, SS, includes rubber grip, mounting hardware, and transmission shift rod connection pivot
16	B04412	Control handle interlock assembly, SB, SS, includes rod, pivot tab, springs, end connections, and hardware
17	B04511	Outer transmission shaft linkage, SB, SS, black, adapts transmission shift shaft on chassis to transmission control rod on control panel
18	B04612	Lower handle bar frame, SS black, 30mm lower handle bar with hardware to connect to chassis
19	B04912	Transmission belt idle pulley assembly, SB, SS, includes idle pulley, radiused pivot arm, pivot bushing, tension spring and hardware
20	B05011	Crankshaft pulley assembly, SB, SS, includes double-v impeller driving pulley, transmission timing belt driving pulley, retaining spacers, key, and hardware
21	B05612	Transmission shift assembly, SB, SS, includes friction wheel shifting shaft, front shaft mount, outer transmission shift linkage, and hardware
22	B09311	Friction wheel aluminum drive disc assembly, SB, SS, includes aluminum timing pulley / drive disc mounted to transmission pivot plate
23	B09412	Snow blower wheel retaining shoulder bolt, Set of 2, SB, SS
24	B09711	Intermediate transmission shaft, SB, SS, hex shaft / small driving gear with bearings, snap rings, and hardware

25	B02110	Discharge chute deflector cable, SB, SS, includes spring, spring guides and hardware
26	B01810	Chute direction control cable, SB, SS
27	B00412	Headlight switch and wiring harness, SB, SS, with two pin connectors, includes wire loom
28	B03012	One hole strap with rubber liner, SB, SS, retains chute rotation and deflector cables with mounting bolt
29	B10612	Auger/Impeller and transmission cable guide pulley kit, SB, SS, includes cable guide pulleys and mounting brackets
30	B08012	Chassis assembly hardware kit, SB, SS
31	B11112	Transmission pivot plate tab with hardware, SS, SB
32	B11412	Control panel cover, SS yellow, with hardware
33	B11312	Wheel spacers, SB, SS, sets proper wheel clearance from chassis