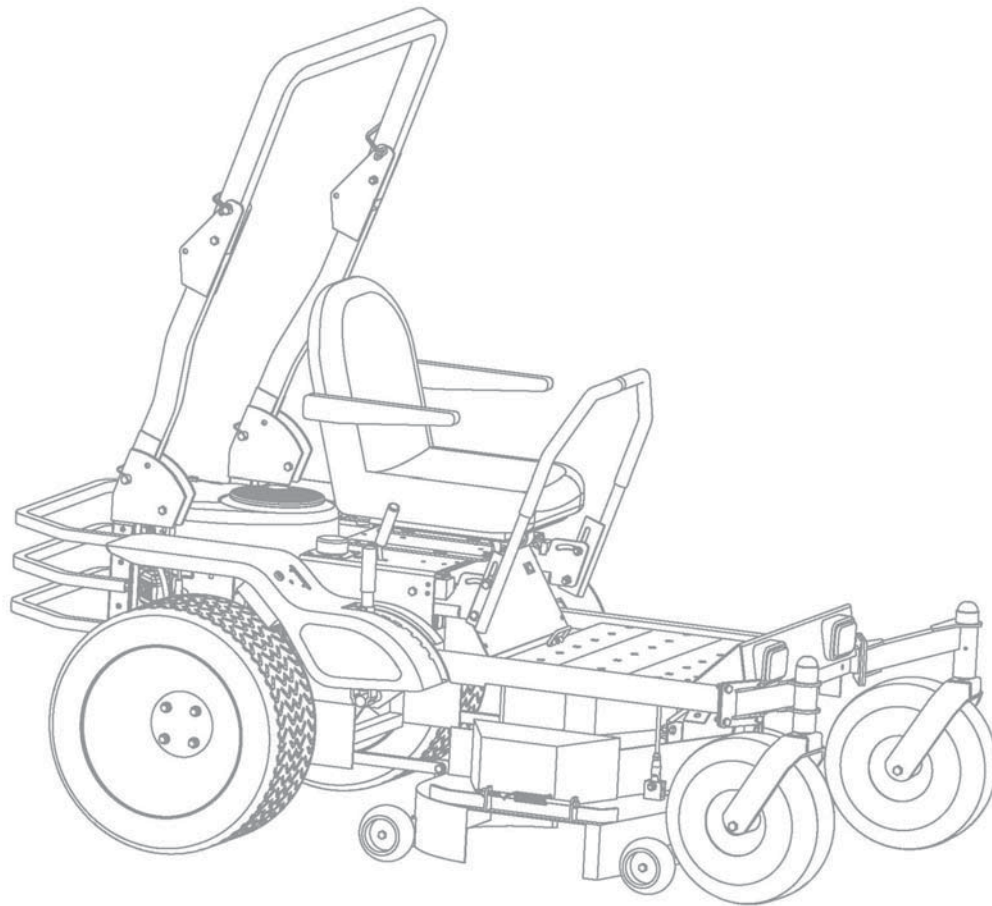


62ZB Spare Parts Diagram and Key

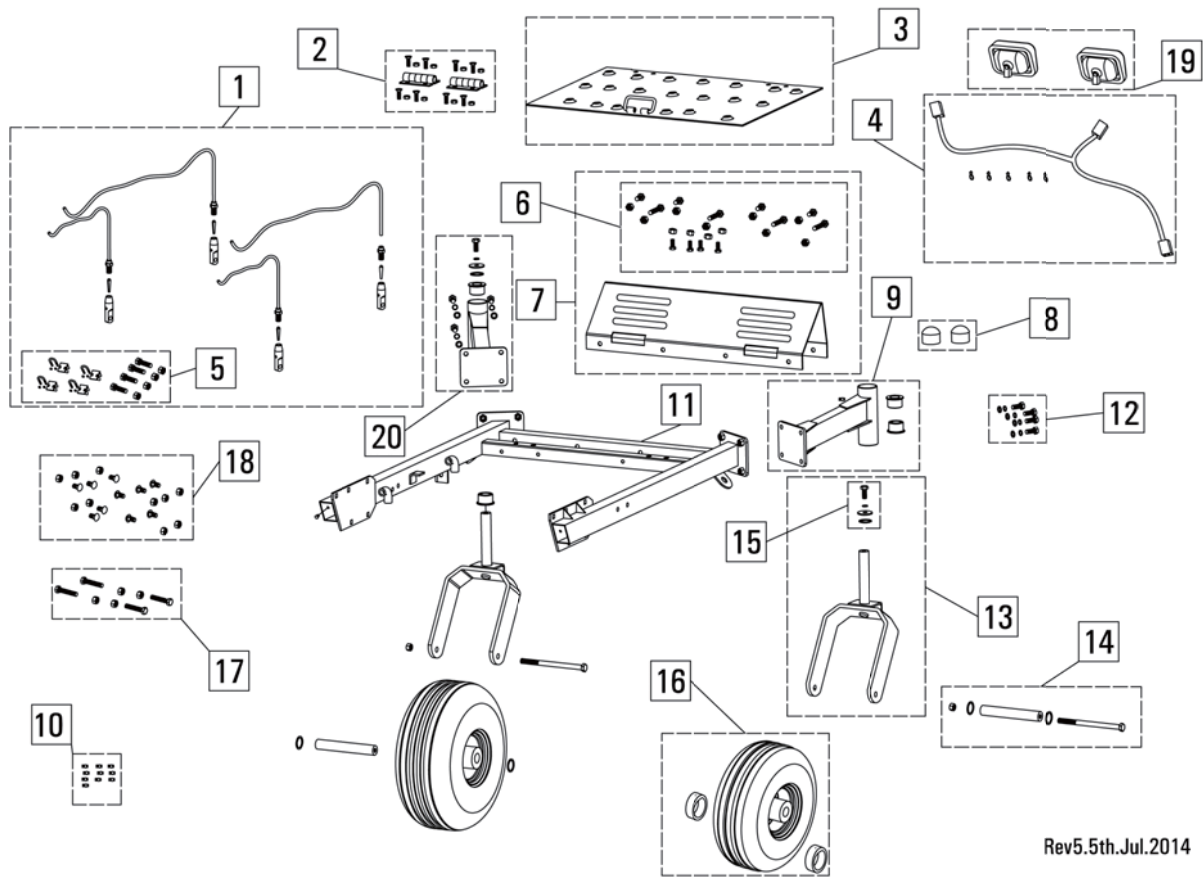


Versions:
SN Start Point :
Tel:
Web:

V0
62ZB180594
1-919-550-3221
www.beastpowerequipment.com

62ZB Frame Parts Diagram and Key

62ZB" Frame Parts Diagram

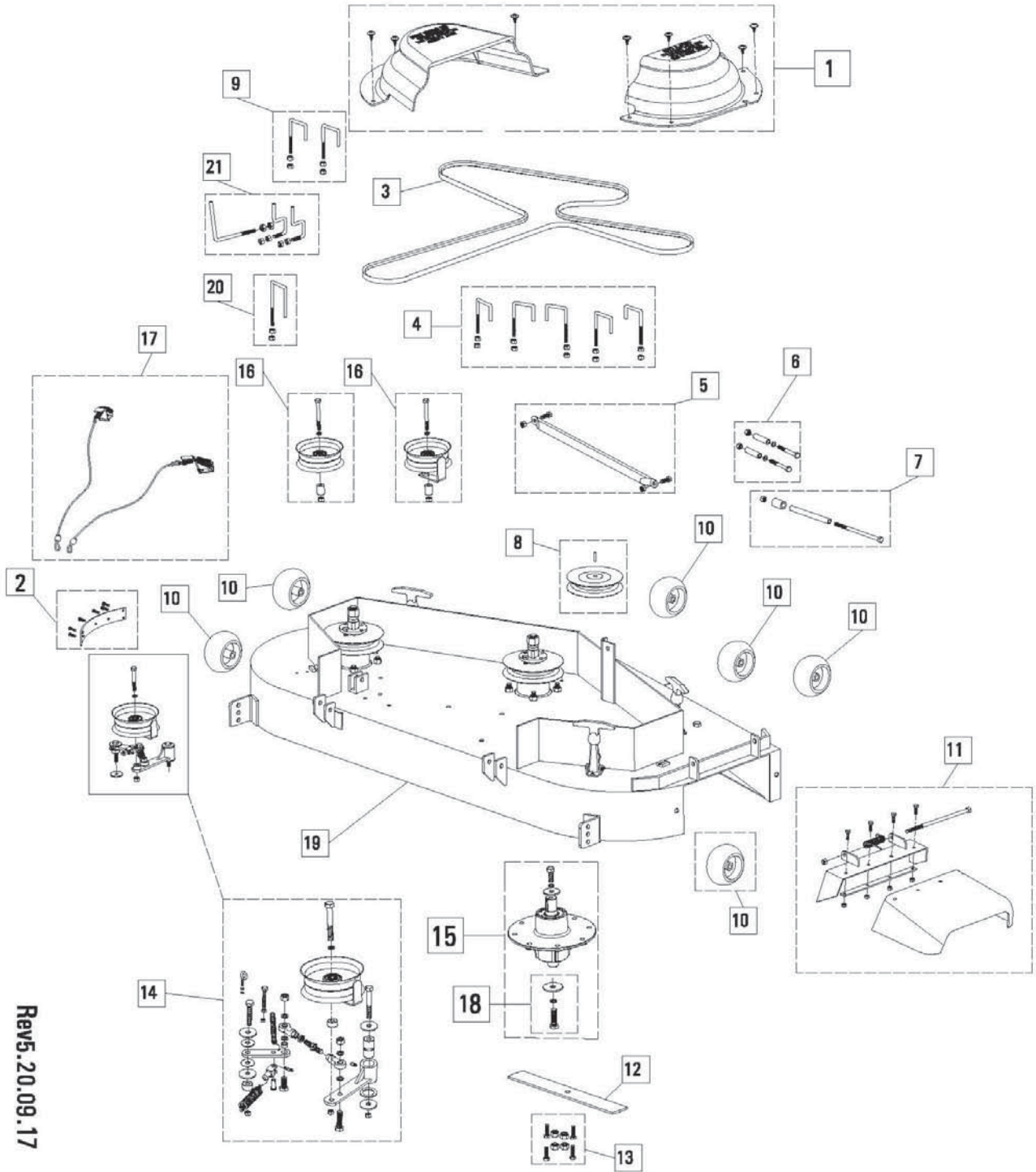


Rev5.5th.Jul.2014

62ZB" Frame Parts Diagram Key

Item #	Gxi Part Number	Description
1	SP11-000016	Deck cable kit, commercial Z, all 4 subassembled cables, includes cable clamps
2	SP12-000235	Hinge, floorboard, commercial Z, with hardware
3	M10-000867	floorboard, commercial, grey, upgrade..
4	SP12-000208	head light wire harness and wire harness line clips
5	SP12-000236	Hardware kit, commercial Z, deck cable connections, 4 nuts and bolts, and cable clamps
6	SP12-000237	Hardware kit, commercial Z, floorboard mounting hardware
7	SP17-000238	Floorboard, front V, commercial ZB, label ,hardware, grey with grip tape..UPGRADE 2017
8	SP11-000137	Bearing cap set, Z, black plastic, set of 2 front wheel bearing cap..
9	SP14-000239	Front wheel mount, commercial ZB, right, orange, with brass bushings, grease fitting
10	SP12-000189	Grease fittings, set of 10
11	M10-000862	Frame, front, 62ZB, orange
12	SP12-000240	Hardware kit, front wheel mount mounting bolts with washers and lock washers
13	SP12-000241	Front wheel yoke, commercial ZB, orange, with assembly hardware to frame, axle NOT included
14	SP11-000018	Hardware kit, commercial Z, front wheel axle bolt and axle hardware..
15	SP11-000140	Hardware kit, Z, W, retaining hardware for front wheel caster, includes, bolt, fender washer, and lock washer..
16	SP11-000034	Tire assembly, commercial Z, front tire mounted to rim, with bearings pressed into rim hub, ribbed 15" x 6" x 6" tire
17	SP11-000139	Hardware kit, Z, fasten frame to control panel end caps, and attach deck height set bracket to right hand side of frame..
18	SP11-000141	Hardware kit, Z, frame to chassis mounting hardware, contains 10 custom carriage bolts and locking nuts..
19	SP12-000209	Headlight bezel, lense, and bulb assembly, set of 2
20	SP14-000217	Front wheel mount, commercial ZB, left, orange, with brass bushings, grease fittings..

62" ZB Deck Parts Diagram

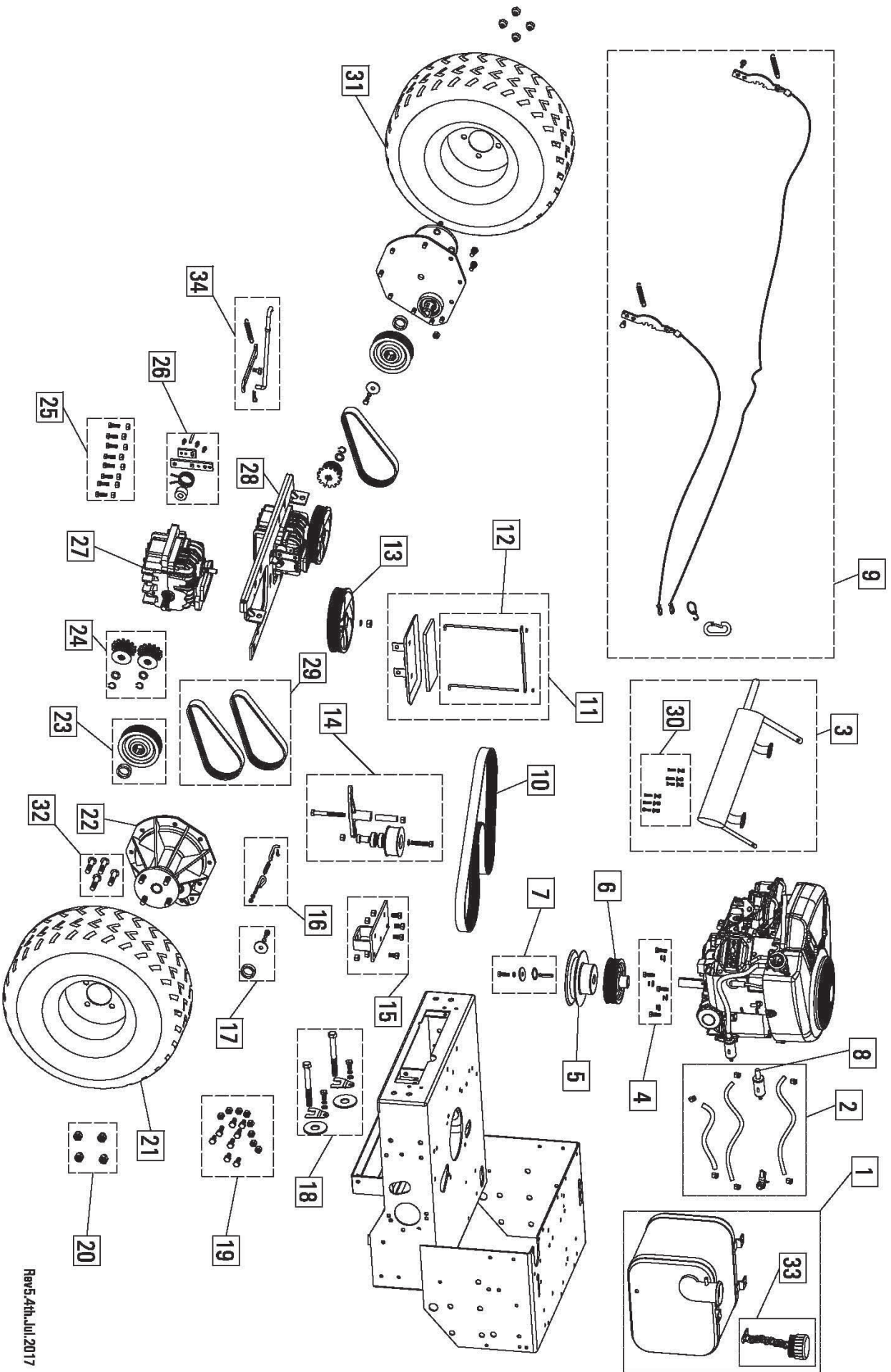


Rev5, 20.09.17

62ZB Deck Parts Diagram Key

62ZB" Deck Parts Diagram Key		
Item #	Gxi Part Number	Description
1	SP17-000063	Belt guard, 62ZB, plastic, with screw, 2017
2	SP12-000270	Deck guard assembly, black plastic, small, include hardware, use for commercial mower
3	M10-000465	62" Engine to blade belt - MXV5-1680..
4	SP11-000009	Belt retainer kit, Z, belt retainers and hardware
5	SP12-000230	Stabilizer assembly, front, , black, with hardware..
6	SP11-000087	Hardware kit, scalping wheel, set of 2 bolts, washers, locking nuts, and bushings.....
7	SP12-000231	Hardware kit, double scalping wheel, center set, bolt, washer, locking nut, and bushing
8	SP17-000254	Pulley, 62Z, deck pulley and hardware, 2017
9	SP12-000186	Belt retainer kit, Z, intermediate between engine and deck, 2 belt retainers and hardware
10	M10-000458	Scalping wheel, 5" plastic..
11	SP11-000056	commercial mower discharge chutes with bolt and spring
12	SP12-000255	Blade, set of 3, 62Z
13	SP11-000086	Hardware kit, Z, W, spindle fastening, set of 4 bolts and nyloc nuts
14	SP14-000059	Upgrade Clutch assembly, commercial 62Z, use for new deck, complete clutch mechanism with all hardware and springs
15	SP17-000015	Spindle assembly, aluminum, 62Z, 2017 Update
16	SP11-000085	Idle pulley, 5", includes bolt, locking nut, belt retainer, spacer, and reinforcement washer for necessary applications
17	SP17-000042	Spindle brake kit, 62Z, left and center brakes, springs, cables, hardware....
18	SP11-000088	Hardware kit, 48Z, blade attachment, set of 3 blade mounting bolts, washers, and lock washers..
19	M17-000324	62" ZTR Commercial Deck - orange..
20	SP11-000017	Belt retainer, commercial Z, 54F clutch to first spindle
21	SP12-000185	Belt retainer kit, Z, engine pulley, rear retainer, 2 side retainers with hardware

62" ZB Chassis Diagram-Power Train Diagram

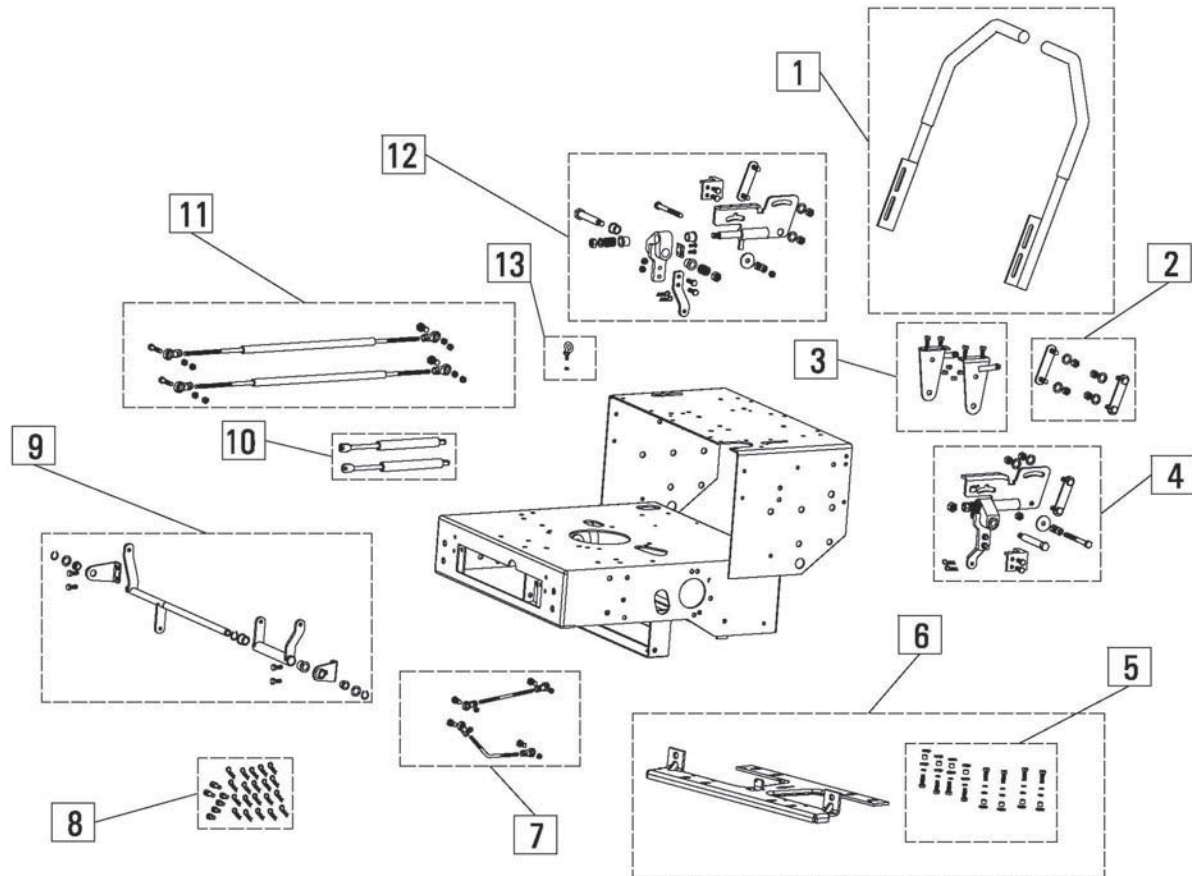


62ZB" Chassis Diagram -Power Train Diagram Key

Item #	Gxi Part Number	Description
1	SP12-000210	Fuel tank assembly, 54Z, 62Z, tethered fuel cap, fuel valve
2	SP11-000105	Fuel system kit, Z, fuel supply line, fuel valve, filter, fuel tank breather line, and 6 hose clamps..
3	SP17-000190	Muffler, 62Z, vertical canister, Briggs and Stratton 25hp Professional Series engine with hardware and gaskets
4	SP11-000106	Hardware kit, engine mounting bolts, 48Z, Briggs and Stratton 20hp Professional Series engine
5	M12-001685	Pulley, engine, deck belt,62Z, 1" bore with keyway, black, cast..
6	M16-001215	Pulley, engine, hydro input, 48Z, 54Z, 1" bore with keyway, cast aluminum...
7	SP11-000107	Hardware kit, engine pulley retaining hardware, Z, W, key, washers, lock washer, bolt
8	M10-000535	fuel filter..
9	SP14-000040	Cable kit, park brake, Z, with springs, park pawl,climbing hook , and mounting bolts, for large OD output
10	M16-000469	Belt, hydro input, Z, 8PK-1730
11	SP16-000213	Battery pan kit for 2016 54Z, 62Z mower, includes tie down posts, strap, and hardware..
12	SP13-000109	Battery tie down kit, W, includes tie down posts, strap, and hardware
13	M16-001618	Hydro Input pulley,bigger with Fan-Aluminum for GXi making hydro..
14	SP13-000011	Pulley kit,2013 upgrade, hydro, input idler, Z, includes pulley, upgrade carrier arm, bushing, and hardware.....
15	SP11-000110	Pulley mount kit, hydro, input idler, Z, idle pulley carrier mount and hardware..
16	SP17-000111	Rod kit, hydro input tension, Z, includes threaded rod,spring and cotter pins
17	SP17-000112	Hardware kit, Z, W, final drive input pulley hardware, includes washers, bolt, lockwasher, shims, use Loctite during assembly on bolt threads
18	SP11-000113	Hardware kit, Z, hydro output belt tension hardware, includes M16 bolts, bolt locks, and bolt lock hardware
19	SP11-000114	Hardware kit, Z, W, final drive mounting hardware to chassis..
20	SP12-000214	Hardware kit, 54Z, 62Z, W, lug nuts 1/2" x 20 thread, set of 4
21	SP14-000005	Turf saver tire assembly, 54Z, 62Z, RIGHT side rear tire mounted to rim, turf tread 22" x 10" x 10" tire
22	M17-000929	Commercial Final Drive Assembly 2017 upgrade
23	SP16-000032	Pulley, final drive, Z, splined bore, 10PK, aluminum
24	SP16-000054	Pulley assembly, hydro output, Z, 10PK, contains 2 pulleys, keys, snap rings, washers..
25	SP14-000116	Hardware kit, Z, W, hydro to carrier mounting hardware for GXI hydro
26	SP14-000443	Return to neutral assembly,GXi hydro, Z, includes hardware(not include 48Z)
27	Hydro ZL57A	Left hydro, ZTR, 5-7 configuration
28	Hydro ZR57A	Right hydro, ZTR, 5-7 configuration.
29	SP16-000191	Belt, final drive, Z, 10PK-705, set of 2 ..
30	SP12-000192	Hardware kit, muffler, Z, W, universal
31	SP14-000215	Turf saver tire assembly, 54Z, 62Z, left side rear tire mounted to rim, turf tread 22" x 10" x 10" tire
32	SP12-000216	Hardware kit, lug stud, press fit, commercial Z, W, 1/2" x 20" thread, set of 4
33	M10-001409	Fuel tank cap, for steel tank, plastic, with tether, sealed
34	SP14-000441	Bypass assembly, Z, GXI hydro, include bypass board, spring, bypass rod and hardware

62ZB" Chassis Diagram -Hydrostatic Drive Controls Key

62"ZB Chassis Diagram-Hydrostatic Drive Controls



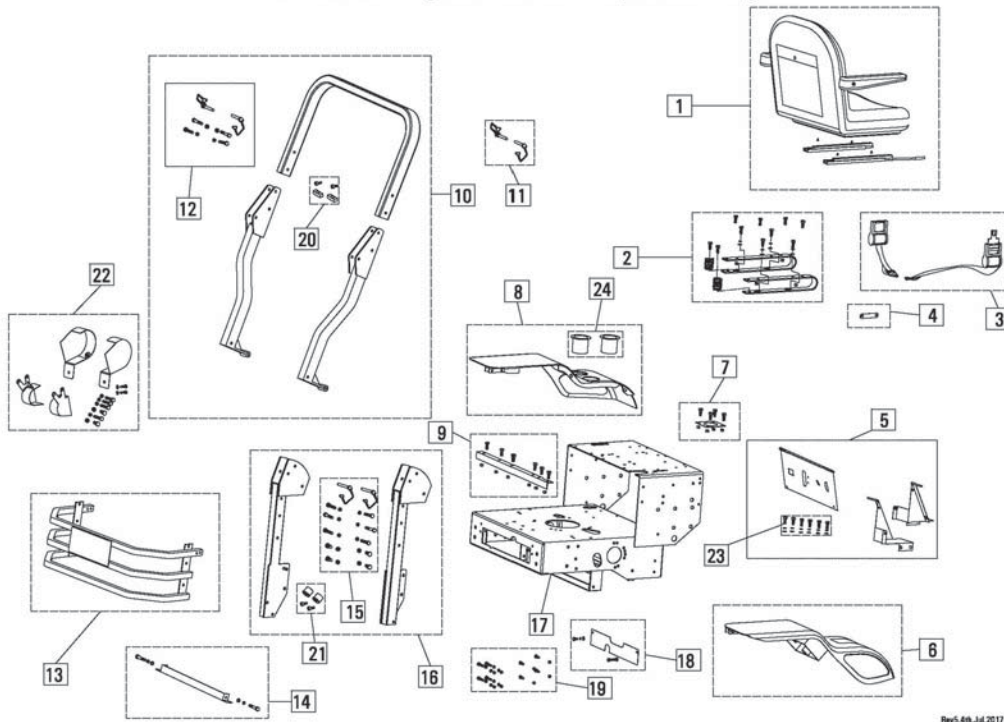
Rev5.4th.Jul.2017

62ZB" Chassis Diagram -Hydrostatic Drive Controls Key

Item #	Gxi Part Number	Description
1	SP11-000019	Control handle assembly, Z, right and left control handles, black, textured vinyl coated
2	SP11-000117	Control handle retainer assembly, Z, set of 2 control handle retainers and hardware..
3	SP12-000203	Reinforcement kit, 48ZS, 54Z, 62Z, inner controls hanger set with hardware..
4	SP11-000013	Control pivot assembly, Z, right hand side, includes all hardware, visible return to neutral block, and control handle retainer assembly
5	SP14-000450	Hardware kit, Z , hydro carrier to chassis fastening hardware for new chassis and GXI hydor
6	SP14-000448	Hydro carrier kit, Z, includes bypass bord and hydro carrier to chassis fastening hardware ues for new chassis and GXI hydro
7	SP14-000121	Rod kit, hydro control, Z, left and right rods, hardware and turn buckle end R thread for GXI hydro commercial mower
8	SP11-000122	hardware kit, Z, W, 2 long shaft threaded rod ends, 4 standard threaded rod ends, 20 cotter pins..
9	SP16-000027	Rear control assembly,54/62Z, use for GXI hydor, rear hydro control pivot assembly with mounting hardware..
10	SP16-000123	Damper kit, Z,Big hole, included 2 control system dampers. . .
11	SP14-000124	Rod kit, Z, intermediate control between handle and rear control assembly, includes turn buckle end thread and hardware for GXI hydro commercial mower
12	SP11-000012	Control pivot assembly, Z, left hand side, includes all hardware, visible return to neutral block, and control handle retainer assembly..
13	SP11-000006	Eye Bolt Kit...

62ZB" Chassis Diagram -Chassis Components Diagram

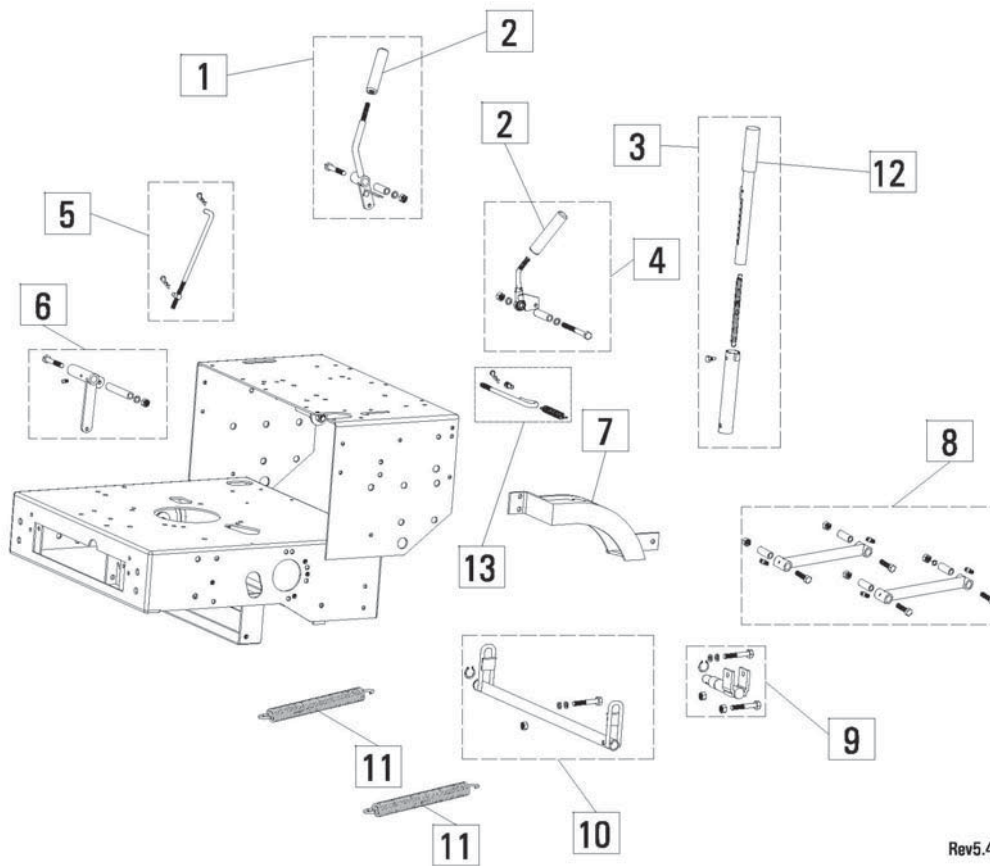
62"ZB Chassis Diagram-Chassis Components Diagram



62ZB" Chassis Diagram -Chassis Components Diagram Key

Item #	Gxi Part Number	Description
1	M16-000484	commercial seat - BEAST.. wiht safety swith assembly.
2	SP11-000090	Seat U mount assembly with suspension springs and hardware
3	M10-000538	Seat belt, Z, retractable
4	M10-000373	Seat belt Strap - Commercial
5	SP12-000253	Control panel assembly, 62ZB, orange and grey, include hardware and label
6	SP17-000219	Fender assembly, 54ZB, 62ZB, gray, right hand side, with label,.2017 update
7	SP11-000095	Panel assembly, fuel tank neck cover, ZB, orange, with hardware
8	SP17-000220	Fender assembly, 54ZB, 62ZB, gray, left hand side, 2 cup holders,2017 update.....
9	SP11-000096	Reinforcement support, seat bracket, Z, black, with hardware
10	SP12-000221	Roll bar assembly, 54Z, 62Z, left and right middle sections, upper section, hardware, pins, and labels....
11	SP11-000028	Roll bar pin kit, Z, contains 2
12	SP12-000222	Hardware kit, roll bar, 54Z, 62Z, hardware for middle and upper section roll bar attachment, includes 2 roll bar pins..
13	SP17-000223	Rear engine guard assembly, 54ZB, 62ZB, 2017 update
14	SP14-000031	Rear Hydro Protector assembly,Gxi Hydro ;with hardware
15	SP12-000224	Hardware kit, roll bar, commercial Z, hardware for lower and middle section roll bar attachment
16	SP12-000225	Roll bar assembly, 54/62Z, left and right lower sections, hardware
17	M16-000923	Commercial ZTR Chassis - Orange..
18	SP11-000101	Rear access cover, chassis, ZB, orange, with hardware and labels..
19	SP11-000102	Hardware kit, fender mounting hardware..
20	SP11-000103	Roll bar silencers, commercial Z, upper, with hardware, use Loctite during assembly (Loctite not included)
21	SP12-000226	Roll bar silencers, commercial Z, lower, with hardware, use Loctite during assembly (Loctite not included)
22	SP16-000159	Hydro Final Drive Pulley Covers For 2016 ZTR54/62
23	SP12-000202	Hardware kit, for panel assembly SP12-000196 and SP12-000218.....
24	SP17-000182	Cup holders, Z, black plastic, contains 2 - glue into fender (glue not included)

62"ZB Chassis Diagram-Blade,Brake,Deck Lift Handle Systems

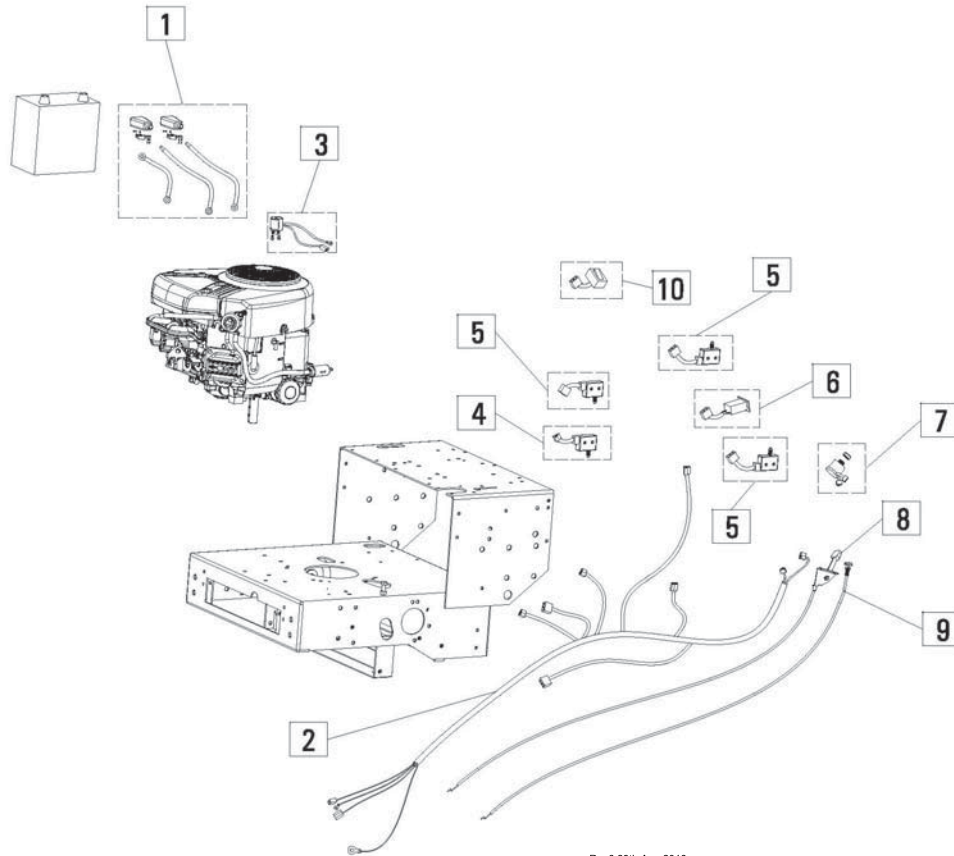


Rev5.4th.Jul.2017

62ZB" Chassis Diagram -Blade, Deck Lift Handle Systems Key		
Item #	Gxi Part Number	Description
1	SP11-000008	Handle assembly, blade on/off, Z, includes pivot bushing, vinyl handle grip, and
2	M10-000023	Handle grip, vinyl coated, Z, vinyl coated steel, blade and brake handle grip..
3	SP11-000014	Handle assembly, deck lift, Z, includes upper handle, lower handle, return spring,
4	SP11-000010	Handle assembly, park brake, Z, includes pivot bushing, vinyl handle grip, and
5	SP11-000125	Rod kit, intermediate deck engagement, Z, includes threaded rod end and cotter
6	SP11-000007	Pivot kit, blade engagement, Z, pivot assembly between deck handle and deck clutch, includes pivot bushing and hardware..
7	SP11-000126	Deck height set bracket, ZB, orange, with height label..
8	SP12-000227	Stabilizer assembly, rear,54Z/62Z, black, left and right stabilizers,with bushing,
9	SP11-000128	Mount, deck lift handle, Z, with roll pin..
10	SP11-000129	Deck height pivot bar, Z, with roll pin..
11	M10-000356	Spring, Z, deck height lift assist spring
12	M10-000812	ZTR height adjustment Grip
13	SP12-000257	Rod kit, deck engagement, Z, included threaded rod end and cotter pin

62ZB" Chassis Diagram -Engine Mechanical/Electrical Controls

62"ZB Chassis Diagram-Engine Mechanical/Electrical Controls



Rev6 29th Aug.2018

62ZB" Chassis Diagram -Engine Mechanical/Electrical Controls Key

Item #	Gxi Part Number	Description
1	SP12-000228	Battery cable set, 54ZB/62Z, includes terminals, terminal covers, positive and ground battery cables
2	M17-000920	Commercial mower wiring harness, Briggs 25HP..
3	M10-000881	Solenoid, starter, 48Z, 54ZS, includes leads for wiring harness
4	M10-000543	Switch, blade drive interlock, Z, W, NC, with pigtail and male plastic plug
5	M10-000544	Switch, blade drive interlock, Z, W, NO, with pigtail and female plastic plug
6	M10-000541	Hour meter, Z, W, with soldered pigtails and female plastic plug
7	M13-000539	3 Position Switch, Z, W, with keys, 3 pin and 2 pin female plastic plug, waterproof, replacement for all year models, all mowers
8	M10-000876	throttle cable 1270mm..
9	M10-000877	choke cable 1295.4mm..