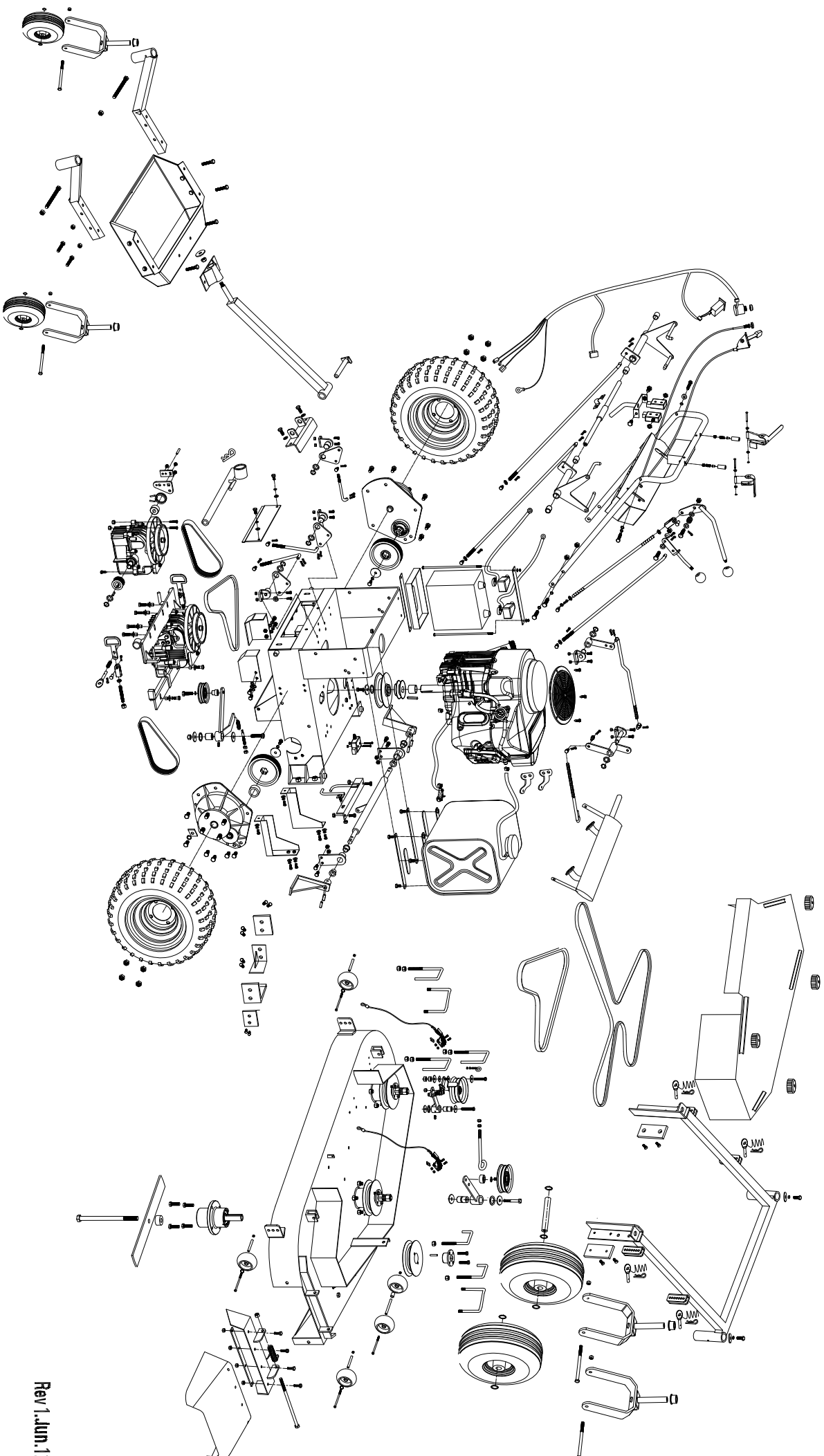
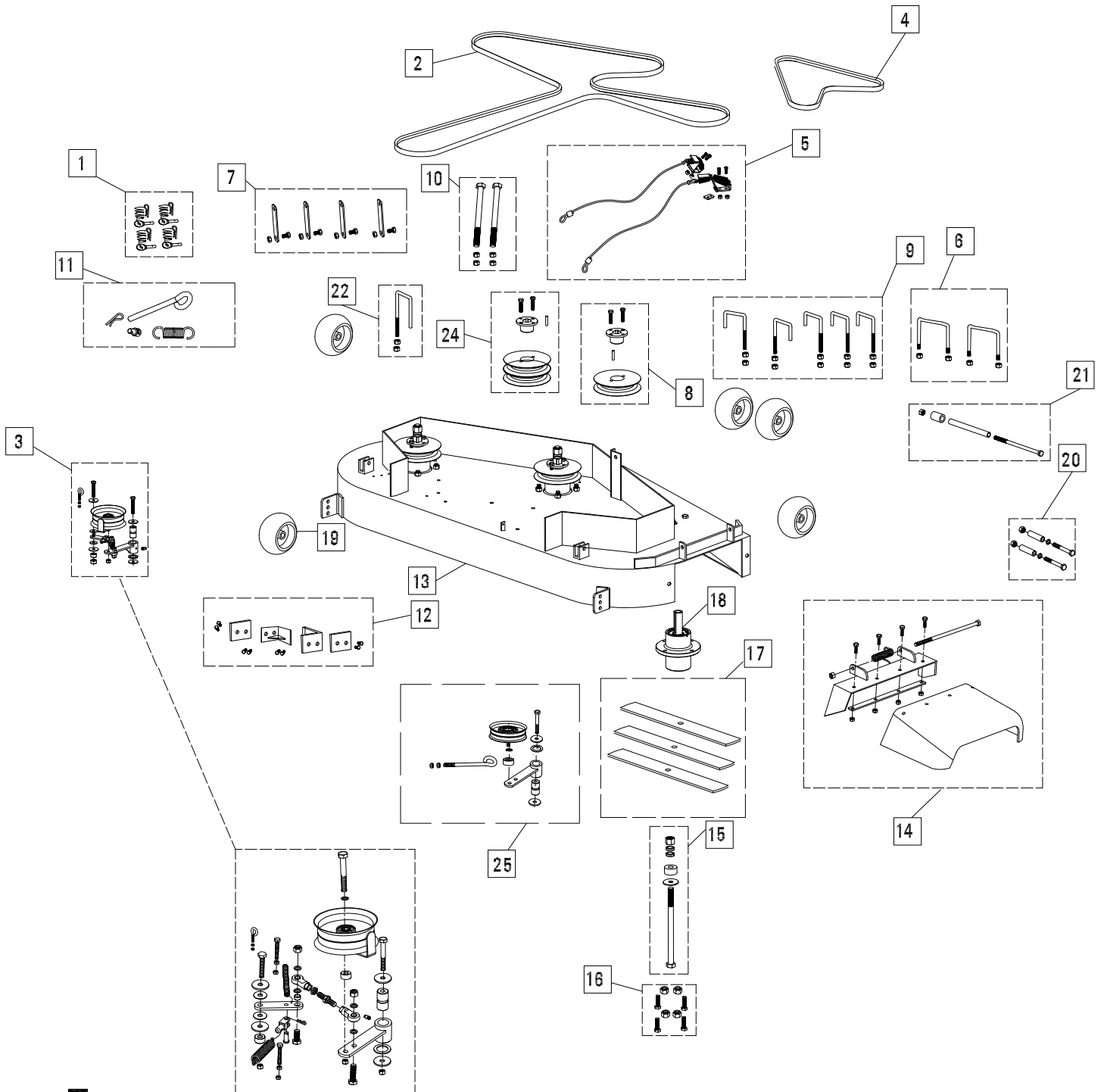


54FB"Parts Assembly Reference



54" FB Deck Parts Diagram

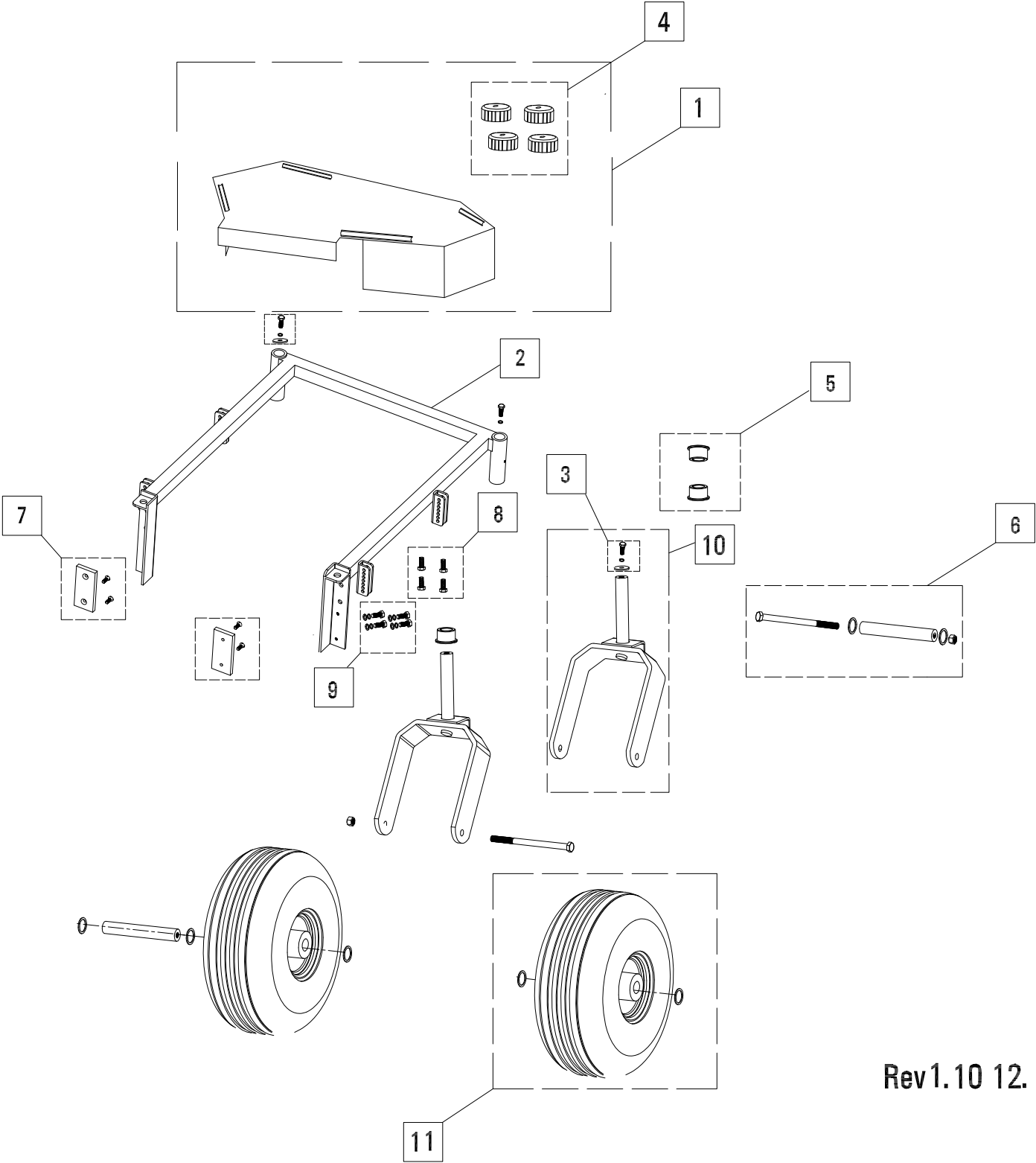


Rev 1.10 12.

54FB" Deck Parts Diagram Key

Item #	Gxi Part Number	Description
1	SP12-000314	Deck height adjustment pin kit, 36F, 54F include pins, rings, cotter pins, tether, set of 4 (C-25/75, P-5/10)
2	M10-001202	54F Deck Belt MXV5-970 (C-50/100, P-15/30)
3	SP12-000325	Deck clutch assemblies for 36F/54F– including spring and connection to clutch arm
4	M10-001208	DEK 36B Transmission Input MXV4-380
5	SP12-000322	Spindle brake kit,54F, left and center brakes, springs, cables, hardware (C-10/25, P-2/5)
6	SP13-000367	Deck lift handle, walk behind, vinyl coated with hardware,sets of 2
7	SP13-000376	Deck height bar, 36F/54F,Orange, set of 4 with hardware
8	SP12-000232	Pulley, 54Z , deck pulley and taper lock bushing and hardware..
9	SP11-000009	Belt retainer kit, Z, belt retainers and hardware
10	SP12-000285	Belt retainer kit, 36" Brush, with hardware..
11	SP13-000382	Rod kit, deck engagement, 54F, included threaded rod end and cotter pin
12	SP13-000370	Wear pad kit , side to side ,w, black, with hardware and nylon wear pads
13	M10-001577	54FB Deck Weldment -orange
14	SP11-000056	Commercial Mower Discharge Chute
15	SP12-000234	Hardware kit, commercial Z, W blade bolt, washer, spacers, and nut
16	SP11-000086	Hardware kit, Z, W, spindle fastening, set of 4 bolts and nyloc nuts
17	SP12-000233	Blade, set of 3, 54Z, 54F
18	M10-000928	Cast Steel Spindle Assembly
19	M10-000458	Scalping wheel, Z, W, 5" plastic..
20	SP11-000087	Hardware kit, scalping wheel, set of 2 bolts, washers, locking nuts, and bushings.....
21	SP12-000231	Hardware kit, double scalping wheel, center set, bolt, washer, locking nut, and bushing
22	SP11-000017	Belt retainer, commercial Z, 54F clutch to first spindle
23	SP12-000320	54FB deck assembly, orange, includes every part for a functioning deck
24	SP13-000383	Pulley,54F,double-V deck pulley and taper lock bushing and hardware

54FB" Frame Diagram-Assembly Reference

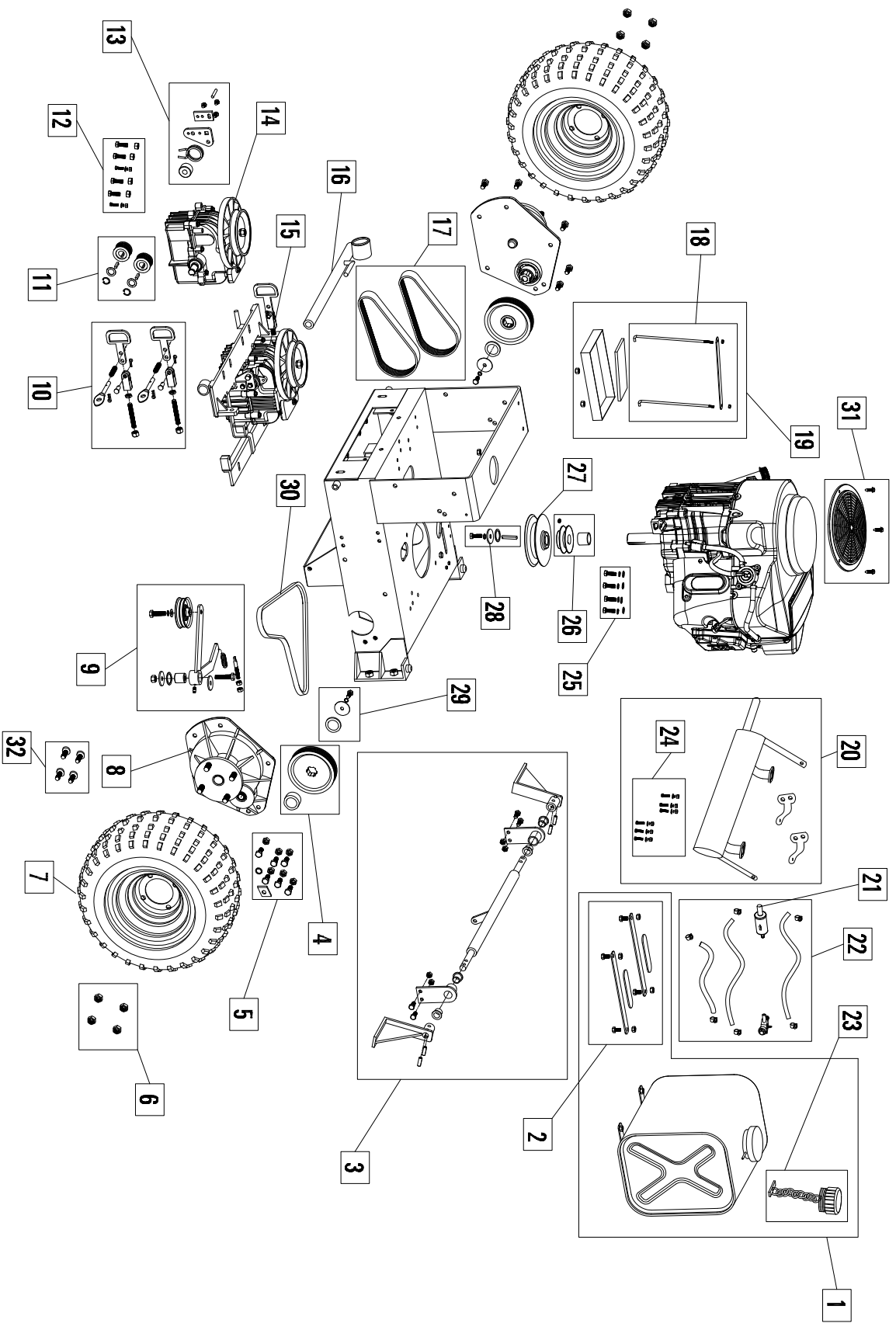


Rev1.10 12.

54FB" Frame Parts Diagram Key

Item #	Gxi Part Number	Description
1	SP12-000379	Deck guard assembly,36FS,yellow,include label and four guard knob...
2	SP13-000380	Frame assembly,36FS,black,include label and four brass bushing...
3	SP11-000140	Hardware kit, Z, W, retaining hardware for front wheel caster, includes, bolt, fender washer, and lock washer
4	SP13-000374	Hardware, guard knob kit, set of 4
5	SP12-000361	Bushing,brass,front wheel caster,w, set of 4
6	SP12-000326	Hardware kit,W, front wheel axle bolt and axle hardware.
7	SP13-000375	Wear pad kit ,front to back ,w, black,with hardware and nylon wear pads
8	SP12-000341	Hardware kit,W,use for fasten the deck guard
9	SP12-000284	Hardware kit, W, connect deck tochassis..
10	SP13-000381	Front wheel yoke, 36FS,54FS, black, with assembly hardware to frame, axle NOT included..
11	SP12-000329	Front tire assembly, W, with bearings pressed into rim hub, ribbed 9" x 3.5" x 4" tire

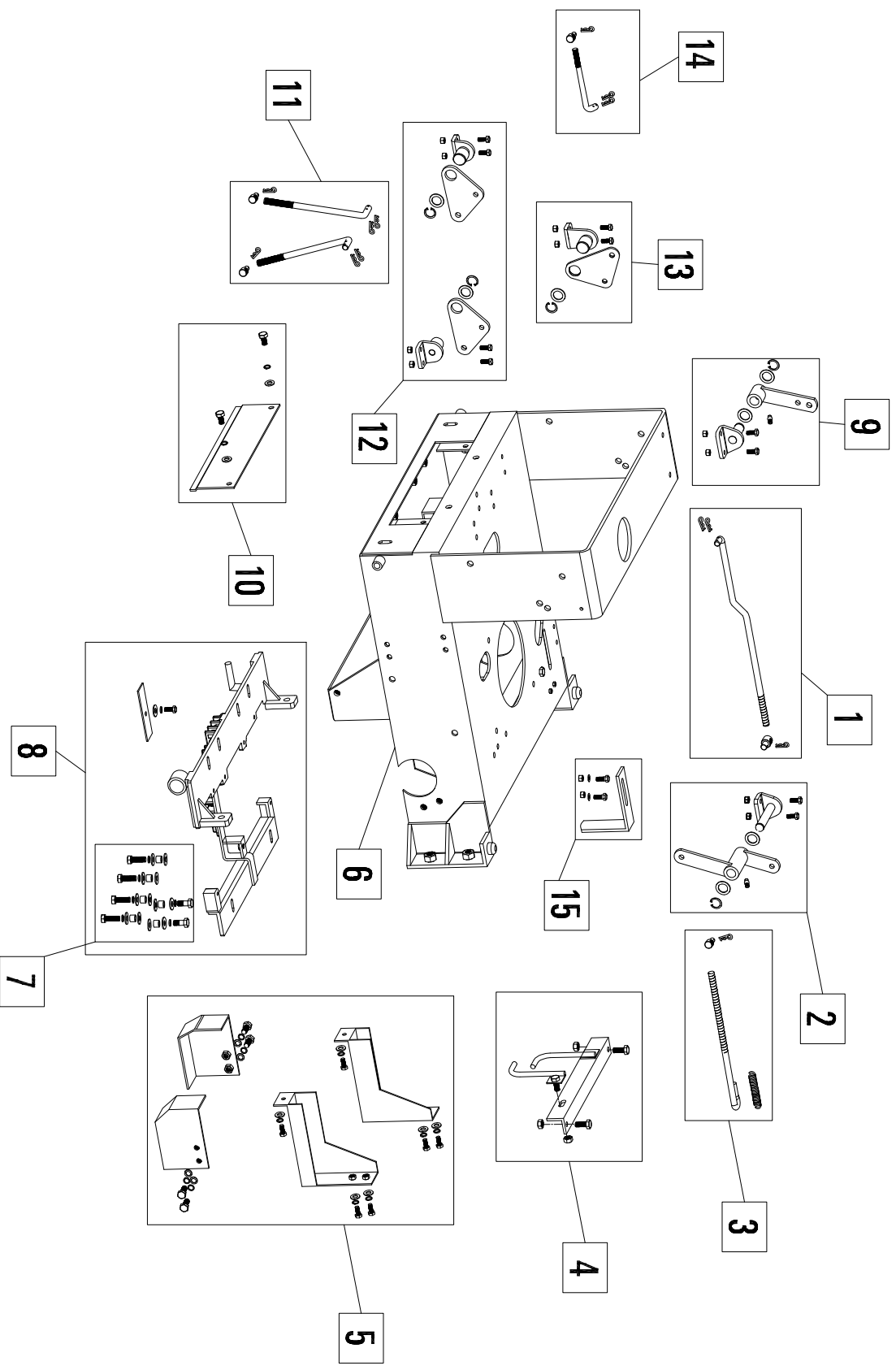
54FB"Chassis Diagram - Power Train Diagram



54FB" Chassis - Power Train Diagram Key

Item #	Gxi Part Number	Description
1	SP12-000287	Steel fuel tank assembly, W, Include fuel valve, mount bar, tethered fuel cap,hardware
2	SP12-000288	Steel fuel tank mount bar kit, 36", W, with hardware..
3	SP13-000391	Brake system assembly kit, 54FB,orange, include brake shaft, brake pivot mount, brake L and R brcket , nylong bushing, spring pin, hardware
4	SP12-000290	Pulley, final drive, W, splined bore, 6PK, steel....
5	SP11-000114	Hardware kit, Z, W, final drive mounting hardware to chassis..
6	SP12-000214	Hardware kit, 54Z, 62Z, W, lug nuts 1/2" x 20 thread, set of 4..
7	SP12-000315	Tire assembly, 54F, rear tire mounted to rim, turf tread 18" x 6.5" x8" tire
8	M10-001480	Final drive assembly for 54F walk behind
9	SP12-000267	Hydro input belt tension assembly, 36B_, 36F_, with hardware
10	SP11-000075	Hydro output belt tension kit, W, include tension pin, handle bar, clevis pin, stud bolt, engage spring,hardware, set of 2..
11	SP12-000147	Pulley assembly, hydro output, W, 6PK, contains 2 pulleys, keys, snap rings, washers.
12	SP11-000119	Hardware kit, Z, W, hydro carrier to chassis fastening hardware..
13	SP11-000038	Hydro return to neutral assembly, W, includes washer, spacer, spring, hydro control arm , pin, hardware....
14	2100-006B	Walk behind hydro, Peerless 2100-006B, integrated pump motor..
15	2100-007B	Walk behind hydro, Peerless 2100-007B, integrated pump motor..
16	M10-001259	Free Wheel Tool ..
17	SP12-000316	Belt, final drive, 54F, 6PK-705, set of 2
18	SP13-000109	Battery tie down kit, W, includes tie down posts, strap, and hardware..
19	SP12-000291	Battery pan kit, W, includes tie down posts, strap, and hardware..
20	SP12-000211	Muffler, 54ZB, 36BB, 36FB, 54FB, 100TB, Subaru EH65V, 22hp, with hardware and gaskets..
21	M10-000535	fuel filter..
22	SP11-000105	Fuel system kit, Z, fuel supply line, fuel valve, filter, fuel tank breather line, and 6 hose clamps..
23	M10-001409	Fuel tank cap, for steel tank, plastic, with tether, sealed
24	SP12-000216	Hardware kit, lug stud, press fit, commercial Z, W, 1/2" x 20" thread, set of 4..
25	SP12-000212	Hardware kit, engine mounting bolts, 54ZB Subaru EH65V Engine
26	SP12-000293	Pulley, engine, hydros, V belt, W, with spacer and set screw
27	M10-000289	Pulley, engine - deck belt, 48Z,54F, 1" bore, with keyway, black, cast
28	SP11-000107	Hardware kit, engine pulley retaining hardware, Z, W, key, washers, lock washer, bolt
29	SP11-000112	Hardware kit, Z, W, final drive input pulley hardware, includes washers, bolt, lock washer, shims, use Loctite during assembly on bolt threads..
30	M10-001205	Belt, hydro input, 54F MXV4-510

54FB" Chassis Diagram-Components Diagram



54FB" Chassis Diagram -Components Diagram Key

Item #	Gxi Part Num-	Description
1	SP12-000294	Chassis blade rod kit, 36B,36F, include blade rod, cotter pin, threaded rod end..
2	SP11-000069	Blade belt tension pivot arm assembly, 36B,36F, include M6 grease fitting, tension pivot mount, washer, snap ring, hardware..
3	SP12-000257	Rod kit, deck engagement, Z, included threaded rod end and cotter pin
4	SP12-000295	Movable retainer connector assembly, 36B,36F,with hardware..
5	SP12-000296	Front and rear multi pulley guard kit ,include left and right ,36FS,36BS, black, with hardware..
6	M18-001458	36BB chassis,with new brake system,for gxi hydro,2018year
7	SP11-000119	Hardware kit, Z, W, hydro carrier to chassis fastening hardware..
8	SP18-000309	Hydro carrier kit, 36B,36F, includes center reinforcement, and hydro carrier to chassis fastening hardware...
9	SP11-000070	Blade belt tension pivot arm assembly, 36B,36F,54F include M6 grease fitting, tension pivot mount, washer, snap ring, hardware..
10	SP11-000073	Rear access cover assembly kit, chassis,36BS,36FS, black, with hardware and labels....
11	SP12-000297	Rod kit, hydro control, W, left and right rods, threaded rod ends, and cotter pins..
12	SP12-000310	Hydro control pivot assembly kit, W, include pivot mount, pivot arm L and R, washer, snap ring, hardware..
15	SP12-000313	Engine belt retainer assembly,36F, 36B, include hardware and belt retainer...

54FB" Chassis Parts Assembly Reference

