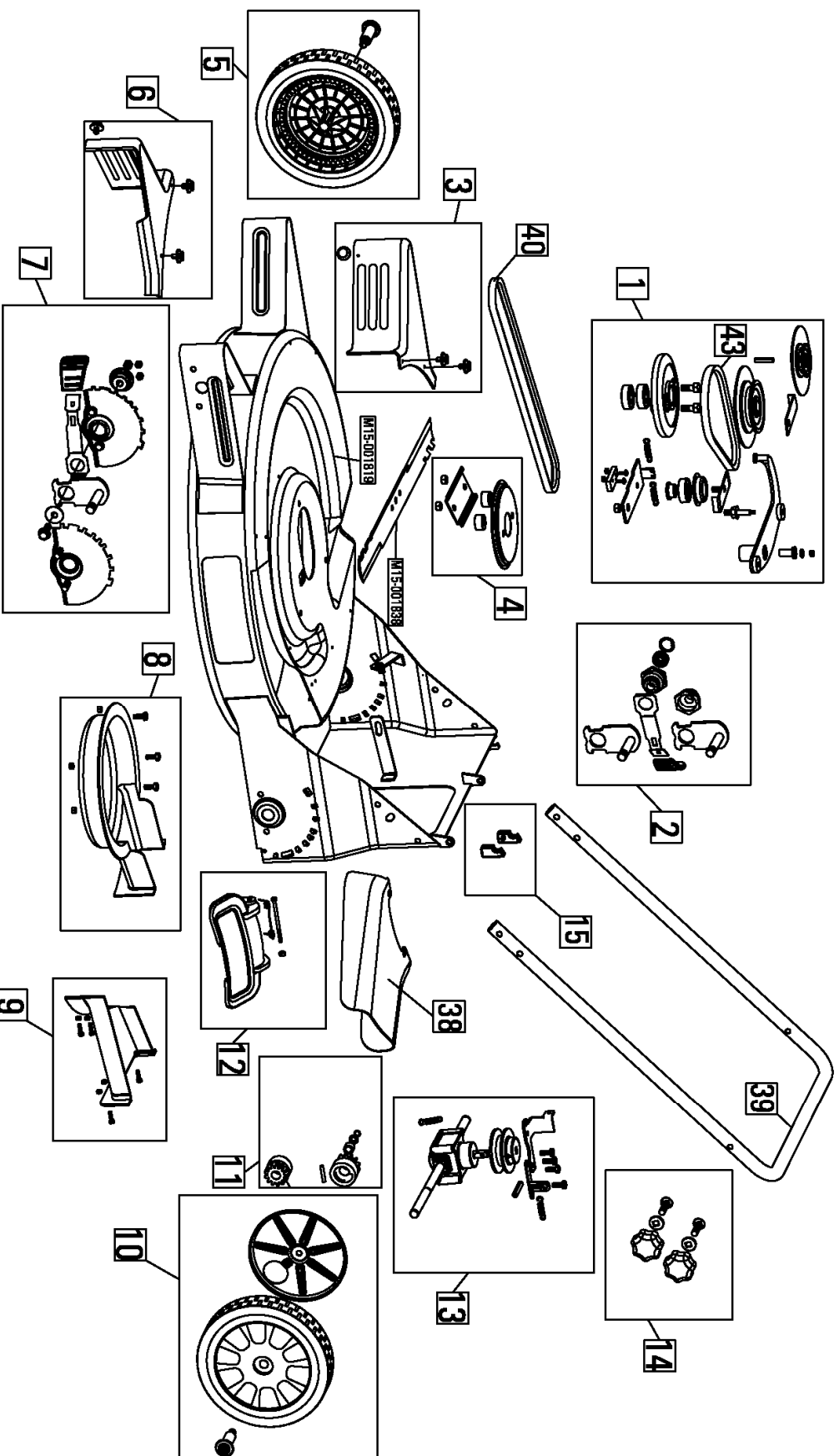
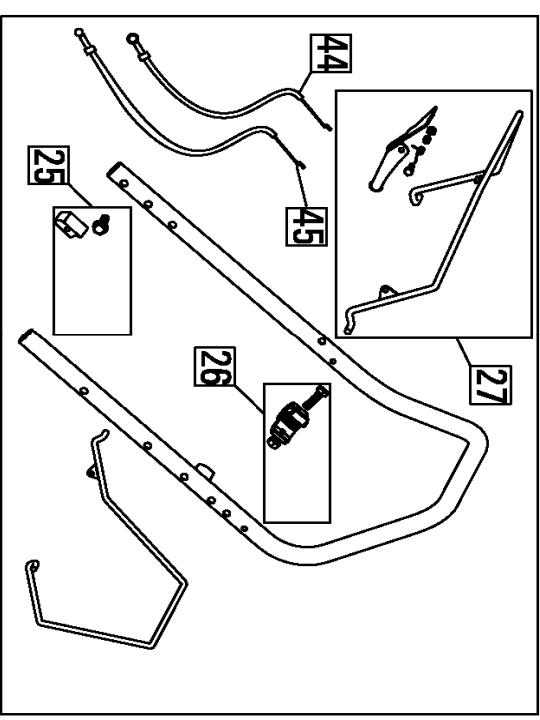
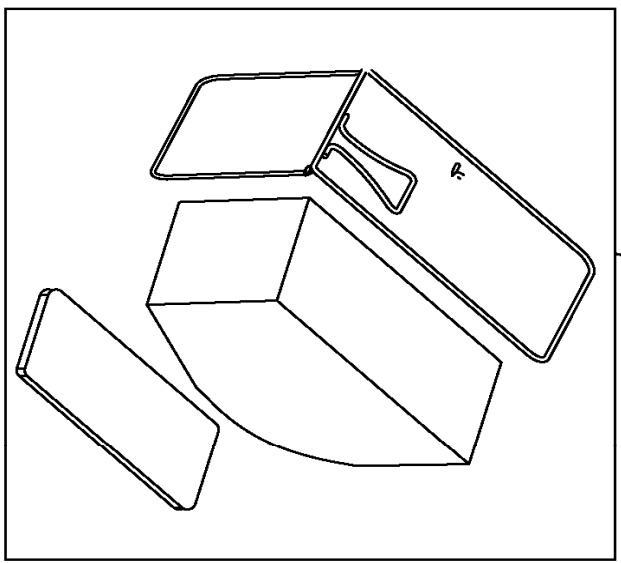
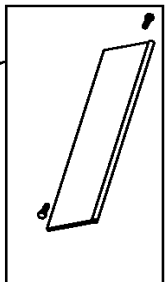
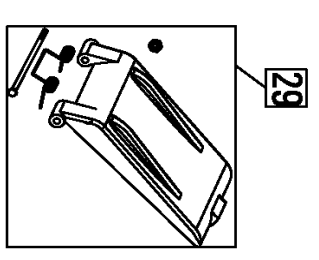
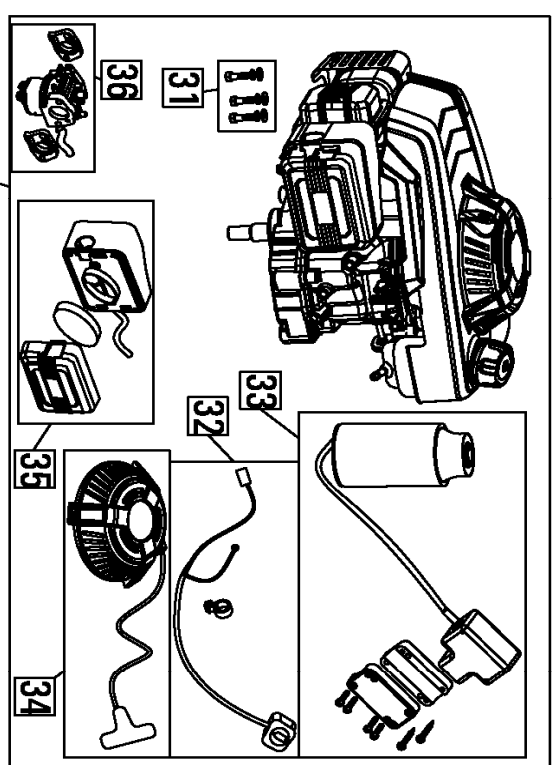
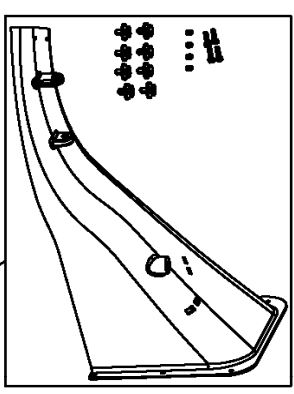
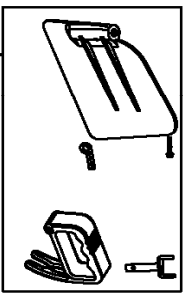
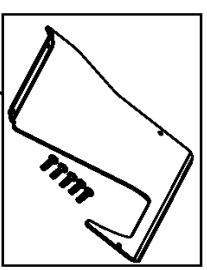
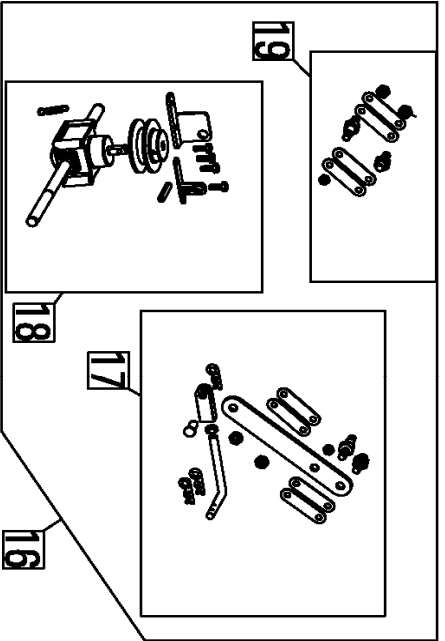


# 26" WAM Turf Beast Parts Diagram Drawing





## Part List for 26" Wide Area Mower

Item #	GXi Part Number	Description
1	SP15-000453	Blade brake clutch (BBC) assembly parts, include clutch, belt, pulley, brake, spring, hardware
2	SP17-000454	Rear height adjust assembly parts, include height handle, bearing, pivot and so on, sue for rear wheel dec.2018 ye
3	SP15-000455	Right height adjust assembly parts, include plastic cover, plastic parte fasting pert...
4	SP15-000456	The clutch bottom cover kit, include clutch cover, brushing, blade, reinforce...
5	SP17-000457	Front wheel kit, include one wheel and nut, pin....
6	SP15-000458	Left front plastic cover kit, include plastic cover plastic parte fastening pert.....
7	SP17-000459	Front height adjust assembly parts, include height handle bearing pivot and so on...
8	SP15-000460	Blade brake clutch bottom cover kit,, include bottom cover and hardware.
9	SP15-000461	Bottom cover kit, include bottom cover and hardware, use for the chute
10	SP17-000462	Rear wheel kit, include one wheel and nut and wheel cover.2018year
11	SP15-000463	Transmission gear kit, include right and left gear, bushing, washer, ring...
12	SP15-000464	Discharge assembly, include spring, door and hardware..
13	SP15-000465	Transmission device kit, include transmission mount, spring, big pulley and hardware.
14	SP15-000466	The handle knob kit, include two knob nuts and hardware..
15	SP15-000467	The bagging target kit, include right and left.....
16	SP15-000468	The transmission system for wam, transmission device, speed kit...
17	SP15-000469	Variable speed kit, right
18	SP15-000470	Transmission device kit, include transmission mount, spring, small pulley and hardwares...
19	SP15-000471	Variable speed kit, left..
20	SP15-000472	The discharge chute, latch and hardware.....
21	SP15-000473	The top plastic cover, hardware..
22	SP15-000474	The bag and bag still mount, plastic piece.....
23	SP15-000475	Main discharge chute, hardware
24	SP15-000476	Handle bar upper, cable, blade engage handle, hardware..
25	SP15-000477	Blade engage handle lock stop plastic parts and hardware..
26	SP15-000478	The cable mount and hardware..
27	SP15-000479	The blade engage handle and safety mechanism kit..
28	SP15-000480	The rear rubber protect and hardware.....
29	SP15-000481	The rear plastic cover, spring, bolt and hardware.....
30	SP15-000482	Engine, electric starter, air cleaner, hardware..
31	SP15-000483	Engine assembly hardware kit..
32	SP15-000484	The engine ON/OFF switch and wire ness mount..
33	SP15-000485	Electric starter, mount, hardware.....
34	SP15-000486	The engine recoil cover, rope, handle.....
35	SP15-000487	The air cleaner for the engine..
36	SP15-000488	The carburetor kit for the engine..
37	M15-001819	M26, Main deck weldment (2mm)..
38	M15-001869	26WAM, Side discharge chute..
39	M15-001862	26WAM, Handle bar tube bottom..
40	M15-001851	26WAM-036, Transmission belt M-39..
41	M15-001838	M26, 26" blade....
42	E14115	Engine assembly, 208cc, Wide area mower engine...
43	M15-001845	M26-030, Clutch belt A-21
44	M15-001916	26WAM-114, The cable for transmission
45	M15-001870	26WAM, The blade brake clutch cable